

Dust Collector

工業用^{旋風式}集塵機

CE



台灣產品新型發明專利第 163177 號

旋風式集塵機 *Dust Collector*

特性：本集塵機為本公司最新製造，採用旋風收塵機與袋式吸塵機之特長，吸力特強。

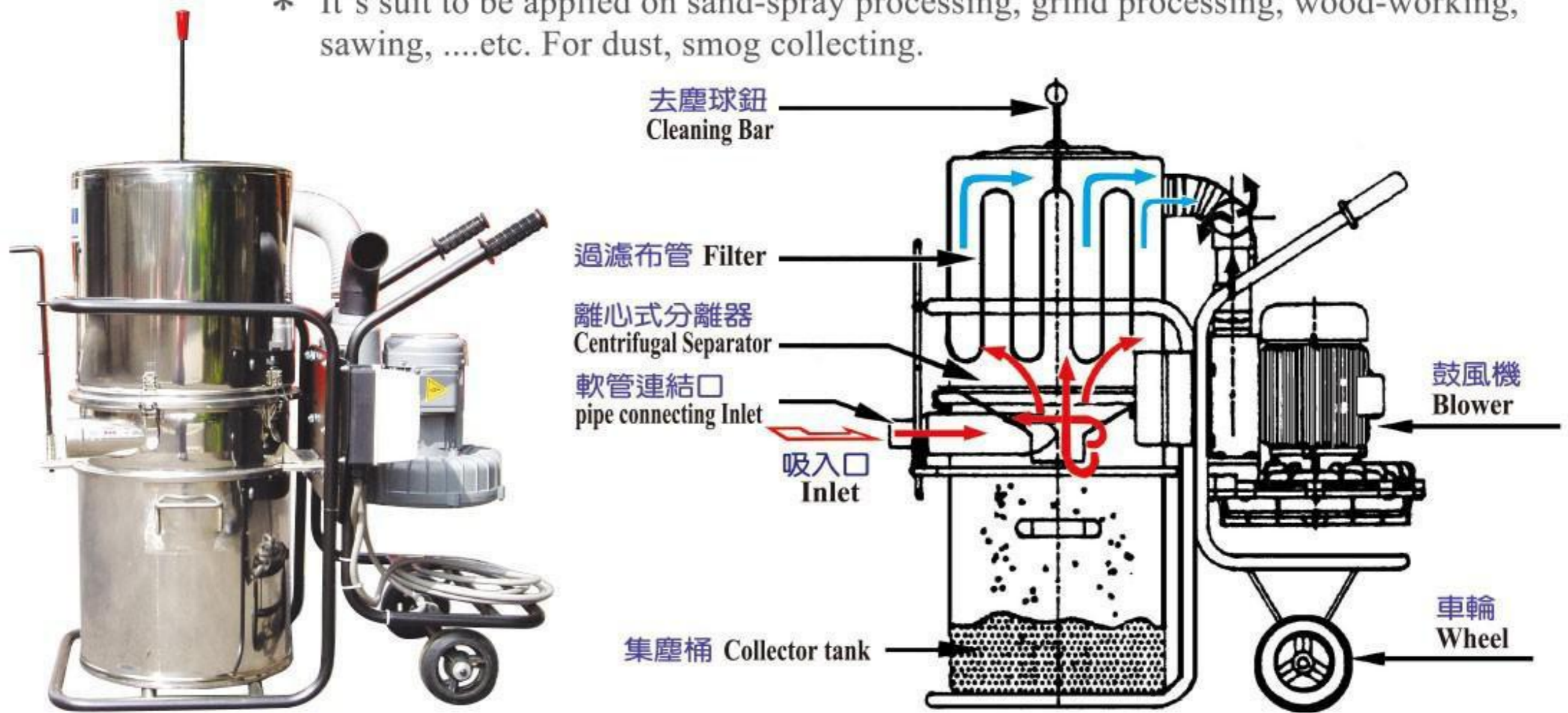
用途：* 可靠近粉塵場所收塵，不需配管，節省經費，大幅提高方便與機動性。

* 適用於噴砂、砂輪、木工、研磨、切削.....等，吸塵粉、棉屑、木削之用。

Functions : DC series, a new design high efficiency dust collector, both cyclone & suction design were adopted.

Applications : * High efficiency, movable & convenient unit, could be applied nearby dust creators, non pipe-construction required. Economically, Mobility, and Conveniently.

* It's suit to be applied on sand-spray processing, grind processing, wood-working, sawing,etc. For dust, smog collecting.



DC-RB型集塵機

規格 Specifications

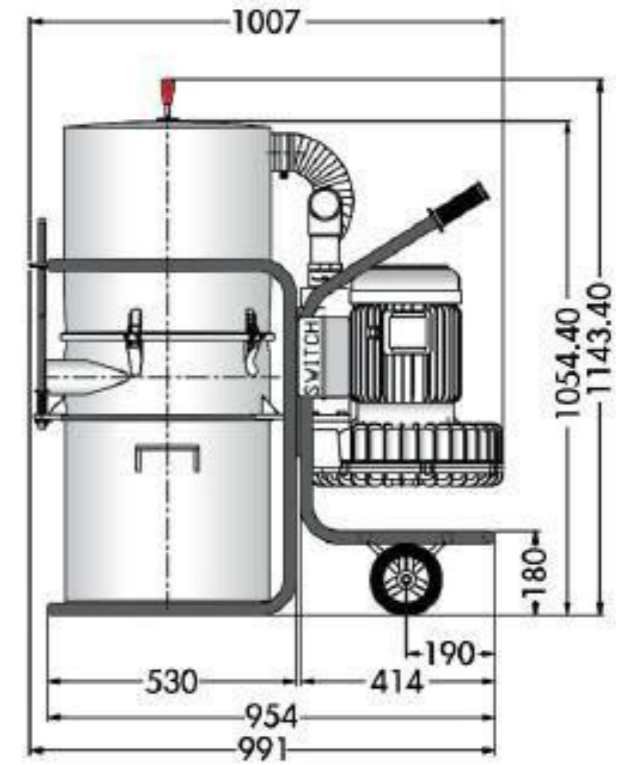
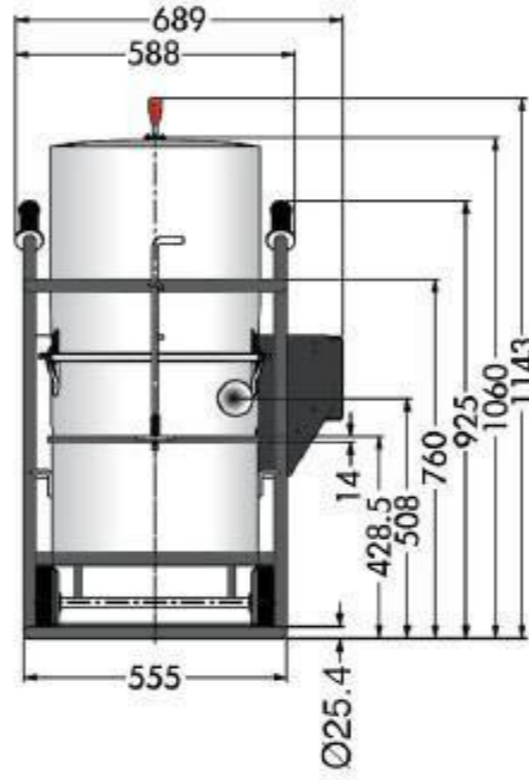
at 50/60Hz

型式 Type	功率 KW/HP	最大靜壓 kpa	最大風量 m ³ /min	吸入口徑 INLET	重量 Weight	補集效率 99%以上
DC-RB-750	0.75/1	13/16	2/2.4	3"	80 kg	可除粒徑 5μm (特殊濾袋) 可至 1μm
DC-RB-022	1.5/2	19/23	3.4/4.2	3"	90 kg	
DC-RB-033	2.2/3	21/26	4.8/6	3"	95 kg	
DC-RB-055	3.7/5	27/33	6.5/8	3"	125 kg	
DC-RB-077	5.5/7	27/32	10/12	3"	145 kg	
DCS-RB-750	0.75/1	13/16	2/2.4	1 1/2"	40 kg	
DCS-RB-022	1.5/2	19/23	3.4/4.2	1 1/2"	50 kg	
DC-HTB100-102	0.75/1	3.2/4	10/12	4"	100 kg	
DC-HTB100-203	1.5/2	4.6/6.5	11/13	4"	106 kg	
DC-HTB100-304	2.2/3	6.1/8.5	12/14	4"	115 kg	
DC-HTB100-505	3.7/5	7.4/10.5	13/15	4"	125 kg	
DC-TB100-1	0.75/1	1.3/1.8	13/15	4"	95 kg	可除粒徑 10μm
DC-TB100-2	1.5/2	2.1/2.5	20/23	4"	100 kg	
DC-TB125-3	2.2/3	2.5/3.2	25/32	6"	110 kg	
DC-TB150-5	3.7/5	3.6/4.5	35/45	6"	127 kg	

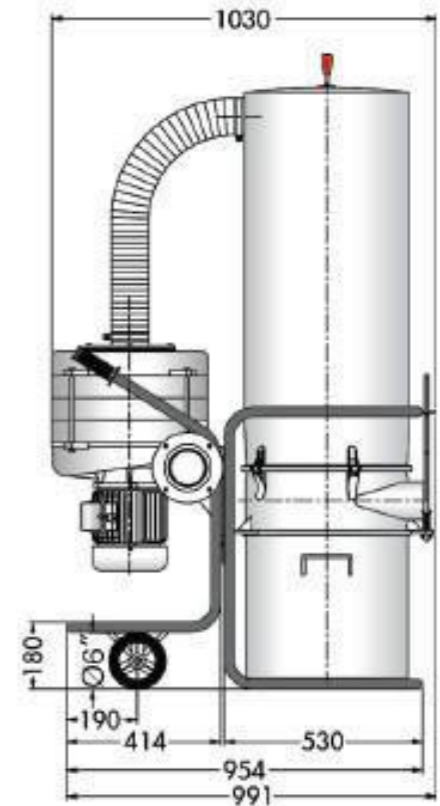
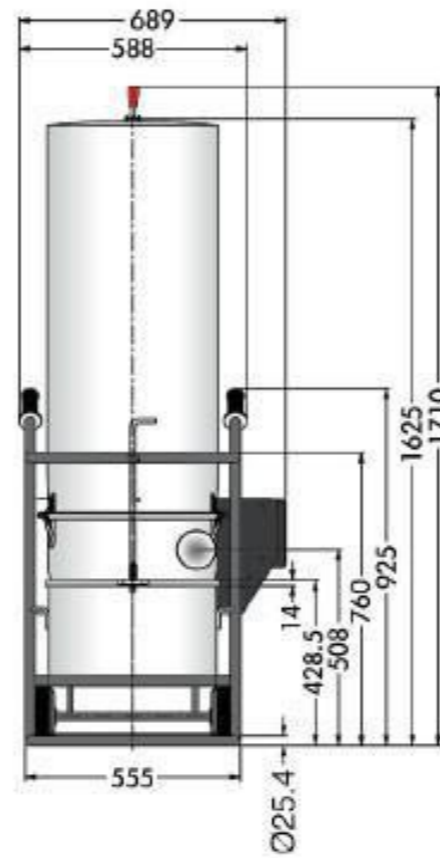
旋風式集塵機 *Dust Collector*



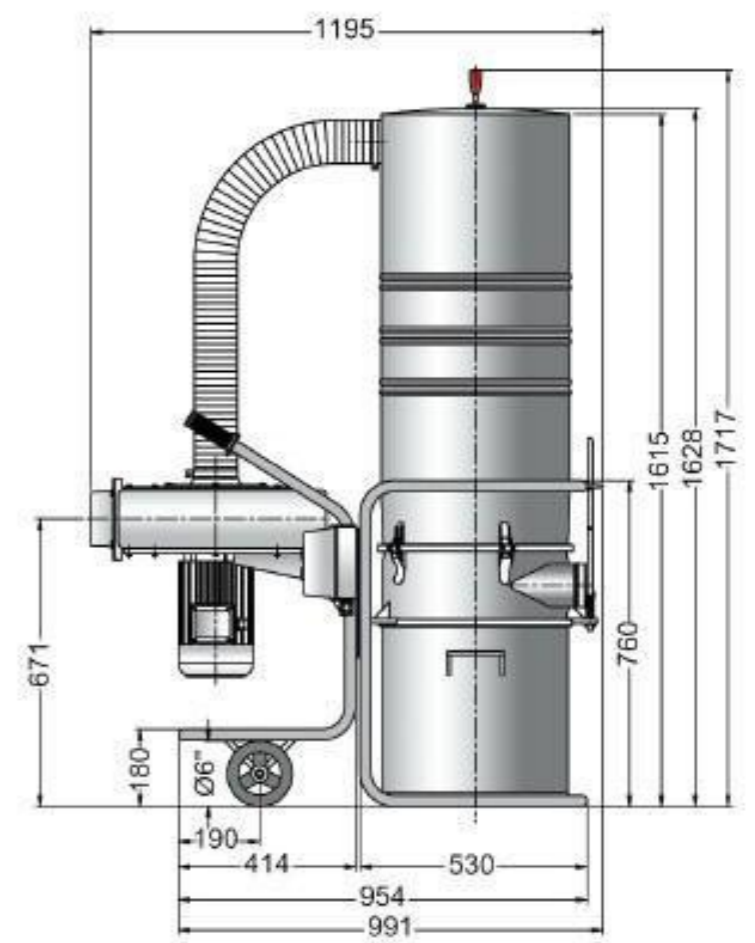
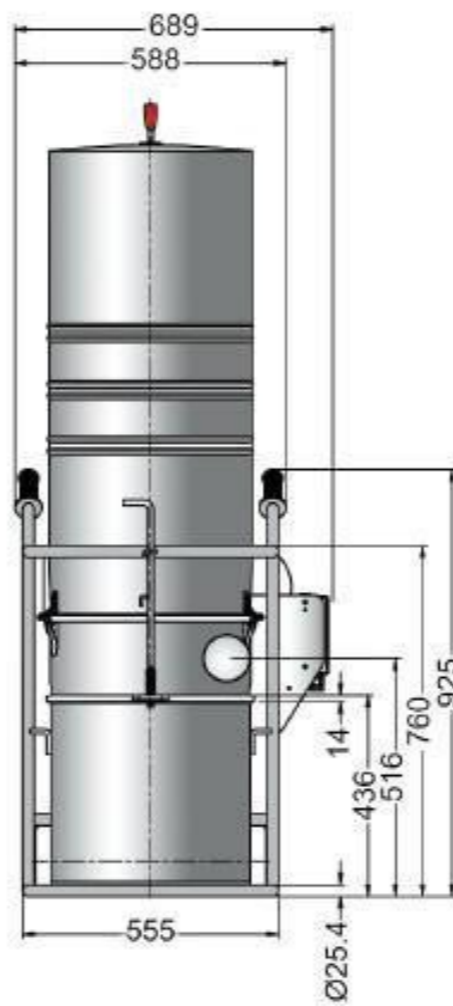
DC-RB 系列



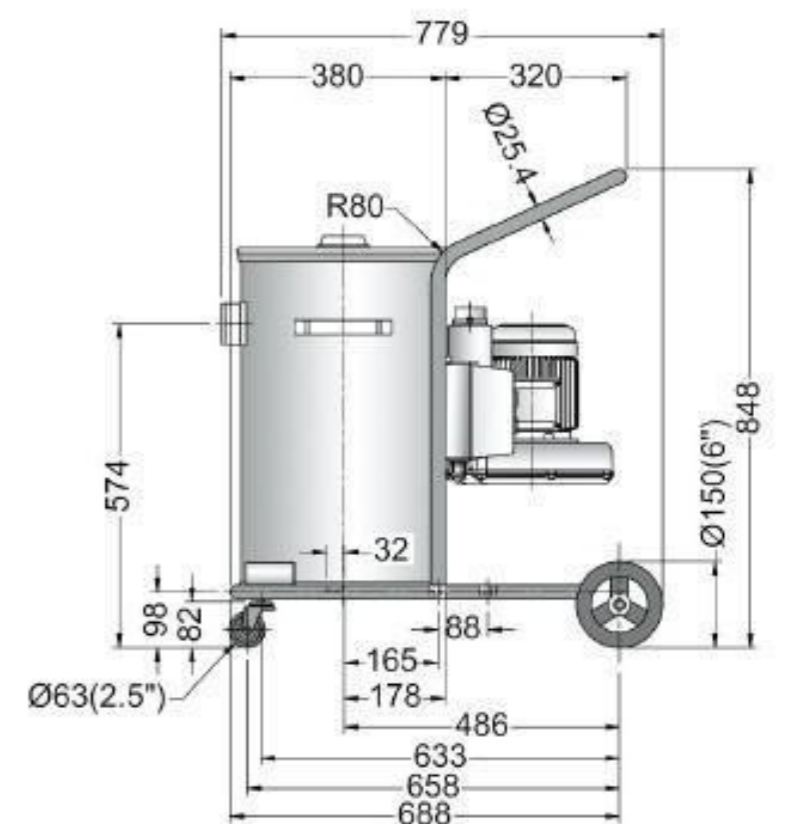
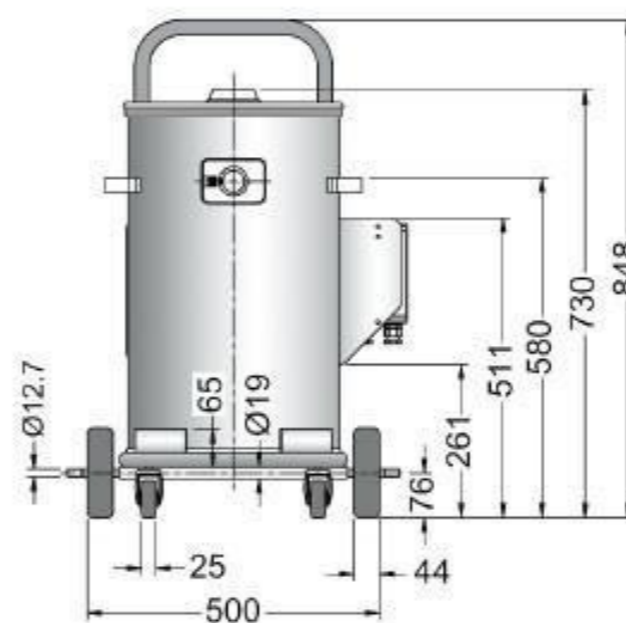
DC-HTB 系列



DC-TB 系列



DCS-RB 系列



活動式（袋式）集塵機 *Portable Dust Collector*

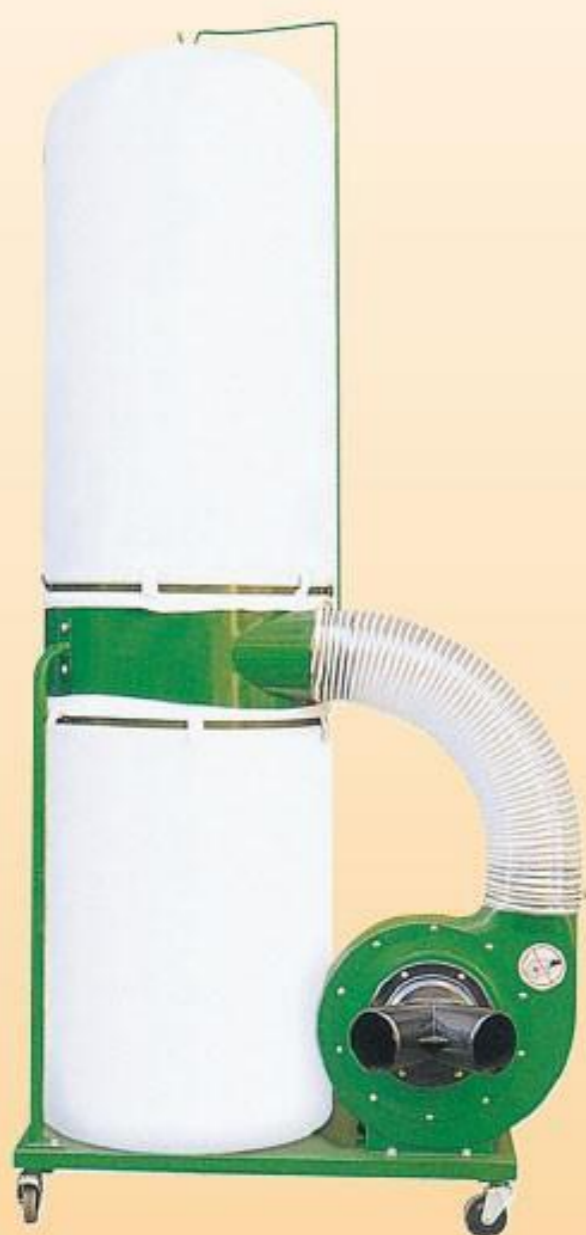
用途：* 可靠近粉塵場所收塵，不需配管，節省經費，大幅提高方便與機動性。

* 適用於噴砂、砂輪、木工、研磨、切削.....等，吸塵粉、棉屑、木削之用。

規格 Specifications

at 60Hz

型號 MODEL	功率 (HP)	風速 AIR SPEED (m/sec)	風量 AIR FLOW (m3/min)	吸風 口徑 INLET	集塵袋 Collector Bag (cm)	組合尺寸 Space Occupied (cm)	包裝尺寸 Packing Size (cm)	淨重 N.W. (kg)	毛重 G.W. (kg)
SF-001HF	3/4	40	19.5	4"×1	Ø35	50×100×50	47×40×55	20	22
SF-001K	1	42	20	4"×1	Ø35	75×38×185	79×43×39	36	38
SF-001	1	38	37	4"×2	Ø51	90×50×200	87×61×58	51	53
SF-209BH	2	40	59	4"×3	Ø61	97×60×280	96×74×59 112×62×8	80	87
SF-003F	3	45	88	4"×4	Ø51	144×57×220	113×80×58 146×60×5	100	105
SF-003	5	45	92	4"×4	Ø61	168×62×280	116×70×68 167×64×5	120	135
SF-004	7 1/2	48	141	4"×6	Ø61	155×130×280	162×85×78	200	250



SF-001



SF-001HF



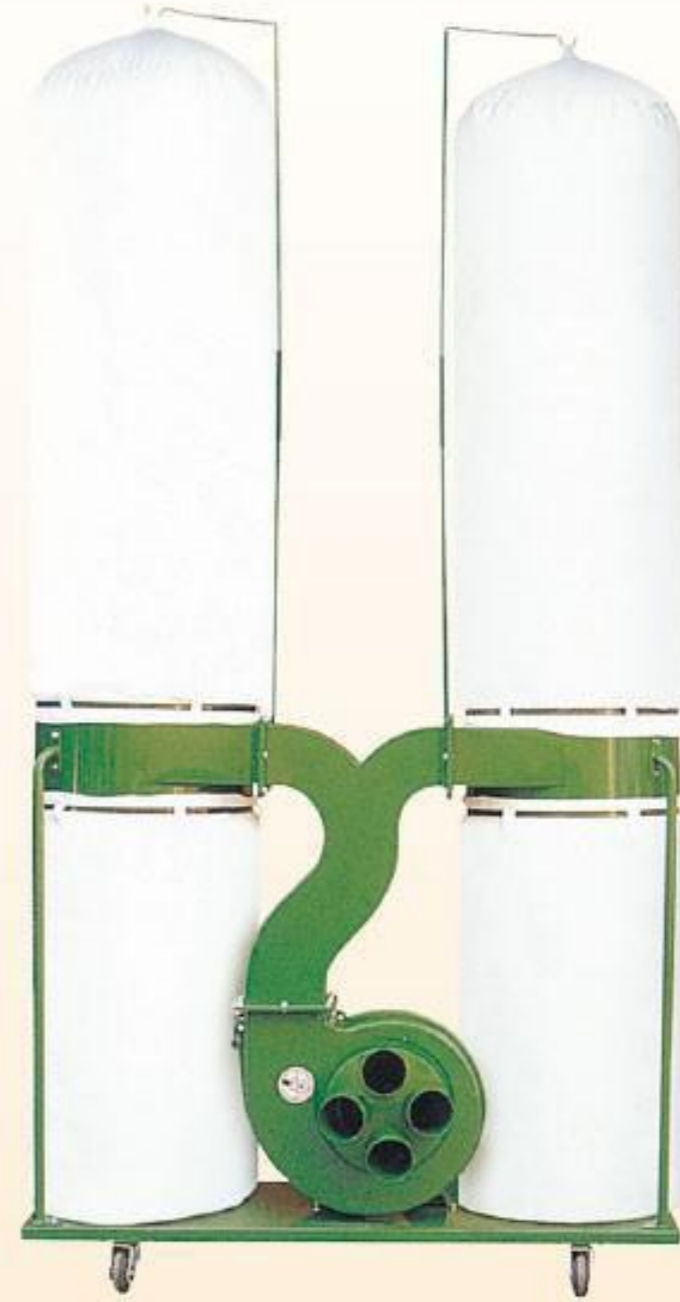
SF-001K

活動式（袋式）集塵機 *Portable Dust Collector*

- * Designed especially for small working environment suitable for coarse dust or chips.
- * Powerfui motor features a cast iron blower house with steel impeller, sealed long lasting operation.
- * Offer you large collecting capacity.
- * Sturdy steel base with four wheel for moving machine to machine, or for storing out of the way.



SF-209BH



SF-003F



SF-003



SF-004

工業用（乾／濕兩用）集塵機

Industrial Wet / Dry Vacuum Cleaner

- * The Fully new-designed separated cooling system of the best efficiency, guarantee of long-term running use.
- * Low-noised, sturdy and closely woven filter bag preventing from dust leakage as pollution to the environment, the surface of filter bag is special treated for dust resistance, easy to be cleaned up.
- * Special water-proof equipment ensures safe motor operation, anti-rust, moisture-proof and high-weight stianless steel tank free of knock, for dry and wet use.

規格 Specifications

at 60Hz

型號 Model	功率 Power (W) j	電壓 Voltage (V)	真空壓 Vacuum (mmAq)	風量 Air Flow (m3/min)	容量 Tank Size (Liter)	材質 Material	材積 Packing Size L×W×H (mm)	重量 Weight (kg)
JS-107	1100	110,220	2300	2.6	40	Stainless	560×500×730	19
JS-121	1100	110,220	2400	2.8	47	Stainless	610×510×890	29
JS-150	2700	110,220	2700	5.6	56	Stainless	610×510×990	32

JS-107



JS-121



JS-150



標準配備 (塑膠材質)

STANDARD ACCESSORIES

- ① 軟管：Hose
- ② 彎管：L-Pipe
- ③ 大接頭：Big Attachment Of Hose
- ④ 延長管：Extension Wands
- ⑤ 主吸嘴：Master Nozzle
- ⑥ 圓吸嘴：Round Nozzle
- ⑦ 扁吸嘴：Crevice Tool
- ⑧ 吸水片：Squeegee Shoe



相關產品 *Correlated Product*



CX 透浦式系列



RB 環形鼓風機系列



TB 透浦式系列



HTB 透浦多段式系列



2HTB 高壓透浦多段式



FMS 多翼式系列



PF 直葉式系列



CS 多翼式系列



MS 多翼式系列



CX 隔熱型系列



SSD-C 多翼式系列



壓力扇系列



批發 · 製造 · 買賣 Manufacturer · Distributor



全風機電設備(昆山)有限公司

Chuanfan Mechanical and Electrical Equipment (Kunshan) Co., Ltd

地址: 江蘇省昆山市玉城南路268號

Add: No.268 Yucheng South Road, KunShan City,
JiangSu Province.

電話/Tel: 0512-57730082/3 57730087/9

傳真/Fax: 0512-57730081

郵編/PostCode: 215316

E-mail: sales@quan-fan.com.cn

http: //www.chuanfan.com.cn