

6027
2/2 way

Direct-acting 2/2 way plunger valve

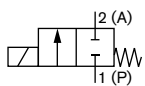


- Direct-acting, powerful valve with diameter of up to DN13
- Vibration-proof, bolted coil system
- Increased leak-tightness with welded plunger guide tube
- Explosion proof versions
- High pressure variants for gases and liquids

Valve 6027 is a direct-acting plunger valve. The stopper and plunger guide tube are welded together to enhance pressure resistance and leak-tightness. Various seal material combinations are available depending on the application. The coils are moulded with chemically resistant epoxy. An optional sliding ring bearing increases the service life with dry gases. Special seal technology is used for high-pressure applications. In combination with a plug in accordance with DIN EN 17301-803 Form A, the valves satisfy protection class IP65. Stainless steel valves satisfy NEMA 4X.

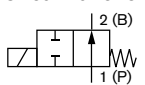
Technical data	
Port connection	G ¼, G ⅜, G ½, G ⅝ (NPT and RC on request)
Orifice	DN1.0 ... 13.0
Body material	Brass or stainless steel 1.4404 (316L)
Coil material	Epoxy
Coil insulation class	Epoxy class H
Medium	Vacuum, neutral gases and liquids (e.g. compressed air, town gas, natural gas, water, hydraulic oil, petrol) and slightly aggressive medium
Medium resistance according to material combination	Hot liquids and steam
Viscosity	Max. 21 mm ² /sec
Seal material combination and medium temperature	
Seat seal/external seal	
Circuit function Normally Closed (NC)	
FKM/FKM	-10 ... +140 °C
PEEK/FKM	-10 ... +80 °C
PTFE/PEEK	-40 ... +140 °C
NBR/NBR	-10 ... +80 °C
Circuit function Normally Open (NO)	
FKM/FKM	-10 ... +100 °C
PEEK/FKM	-10 ... +80 °C
PTFE/PEEK	-40 ... +100 °C
Ambient temperature	Max. 55 °C
Voltage tolerance	±10 %
Duty cycle / single valve	100 % continuous rating
Electrical connection	acc. to DIN EN 175 301-803 Form A for cable plug Type 2508 (see Ordering chart accessories)
Protection class	IP65 with cable plug
Installation	As required, preferably with actuator upright

Circuit function A



2/2 way direct-acting solenoid valve, normally closed

Circuit function B



2/2 way direct-acting solenoid valve, normally open

Power ratings

Orifice [mm]	AC			DC		ATEX/IECEX AC/DC Rated power [W]	KD coil AC/DC Cold performance		Warm performance Holding power [W]
	Inrush power [VA]	Holding power [VA]	[W]	Cold performance [W]	Warm performance [W]		Inrush power [W] 500 ms	Holding power [W]	
42 (K)	150	37	16	21	16	12	85	8.5	7
65 (L)	-	-	-	28	21	20	-	-	-

KD coil AC/DC

"Kick and Drop" coil (KD coil): Integrated electronics for short-term power increase and reduction in dual coil technology

Response times

Orifice [mm]	Inrush AC		Response times DC	
	Opening [ms]	Closing [ms]	Opening [ms]	Closing [ms]
1.0 ... 13.0	10 ... 30	50 ... 80	20 ... 30	50 ... 80

Response times [ms]:

Measured at valve outlet at 6 bar and +20 °C

Opening: pressure build-up 0...90%, closing: pressure relief 100...10%

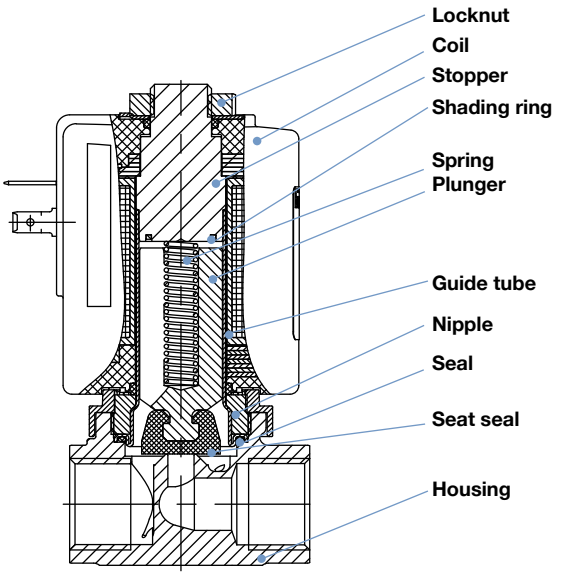
Table of content

Standard version	3
Materials - Standard version.....	3
Dimensions [mm] - Standard version	5
Ordering chart - Standard version elastomer seal up to 30 bar	6
Ordering chart - Standard version pendulum seal up to 100 bar	7
Version DN13	8
Materials - Version DN13.....	8
Dimensions [mm] - Version DN13.....	9
Ordering chart - Version DN13	9
DIN EN 161 PO19 certification version	10
Materials / Dimensions - DIN EN 161 PO19 certification version.....	10
Ordering chart - DIN EN 161 PO19 certification version	10
Oil burner version PF15	11
Materials - Oil burner version PF15	11
Dimensions [mm] - Oil burner version PF15.....	11
Technical data - Oil burner version PF15.....	12
Ordering chart - Oil burner version PF15	12
Flow/Return valve combination	12
High pressure version MX31 & MX32	13
Materials - High pressure version MX31 & MX32	13
Ordering chart - High pressure version MX31 & MX32	13
ATEX/IECEX version	14
Dimensions [mm] - ATEX/IECEX version.....	14
Ordering chart - ATEX/IECEX version with 3 meter cable	15
Ordering chart - ATEX/IECEX version clamp junction box.....	16
Ordering chart accessories	17

Standard version

Materials - Standard version

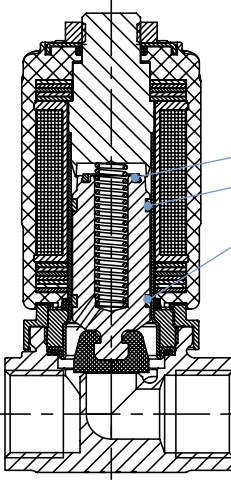
Elastomer seal version up to 30 bar



Locknut	DIN 176 thick-film passivated or stainless steel
Coil	Epoxy
Stopper	Stainless steel 1.4113
Shading ring	Copper (brass body), silver (stainless steel body)
Spring	Stainless steel 1.4310
Plunger	Stainless steel 1.4113
Guide tube	Stainless steel 1.4303
Nipple	Brass, stainless steel 1.4305
Seal	FKM, PEEK (EPDM on request)
Seat seal	FKM, PTFE (EPDM on request)
Housing	Brass, stainless steel 1.4404 (316L)

Version with increased lifespan NF39

All parts are the same as standard, but with two additional parts as follows.

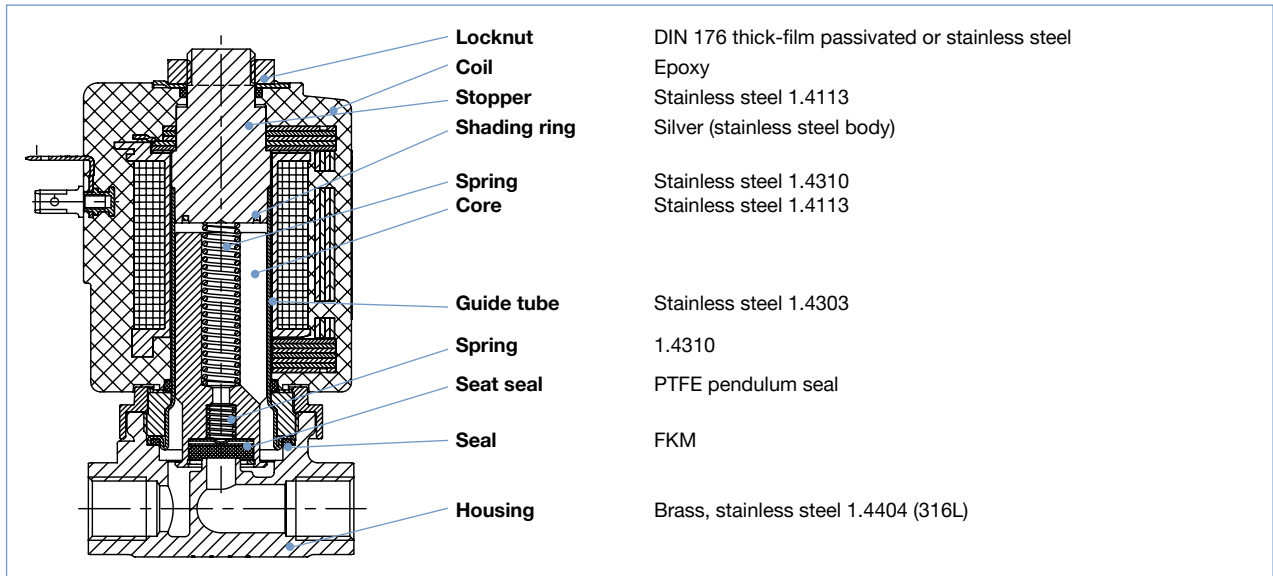


Damping ring	PEEK
Glider	PTFE carbon filled

6027 2/2 way

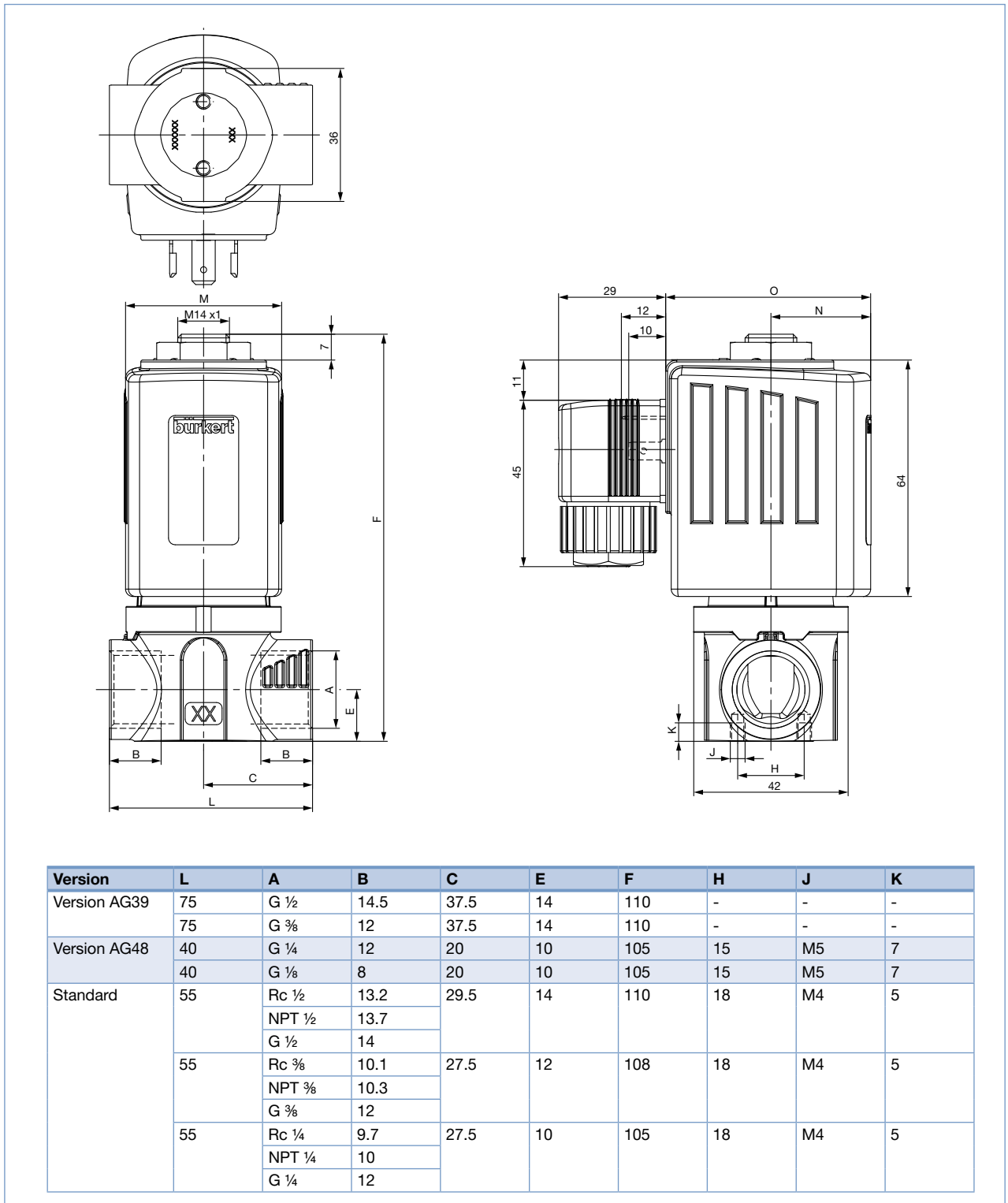
Version PTFE pendulum seal up to 100 bar

All parts are the same as standard, but with two additional parts as follows.



6027
2/2 way

Dimensions [mm] - Standard version



Ordering chart - Standard version elastomer seal up to 30 bar

Further versions on request.

Housing material brass

Circuit function	Port connection	Orifice [mm]	K _v value water [m³/h]	Max. medium pressure [bar]						Article no. acc. to voltage/frequency [V/Hz]		
				Water		Oil		Air		24/DC	24/50	230/50
				DC	AC	DC	AC	DC	AC			
G-inner thread, seal material FKM/FKM												
NC	G ¼	3.0	0.28	0...30	0...25	0...30	0...25	0...30	0...25	178295	178296	178297
		4.0	0.54	0...12	0...16	0...12	0...16	0...12	0...16	178299	178300	178301
		5.0	0.73	0...6	0...10	0...6	0...10	0...6	0...10	178303	178304	178305
		6.0	0.95	0...3	0...6	0...3	0...6	0...3	0...6	178307	178308	178309
	G ⅜	3.0	0.28	0...30	0...25	0...30	0...25	0...30	0...25	178311	178312	178313
		4.0	0.54	0...12	0...16	0...12	0...16	0...12	0...16	178315	178316	178317
		5.0	0.73	0...6	0...10	0...6	0...10	0...6	0...10	178319	178320	178321
		6.0	0.95	0...3	0...6	0...3	0...6	0...3	0...6	178323	178324	178325
	G ½	6.0	0.95	0...3	0...6	0...3	0...6	0...3	0...6	178327	178328	178329
		8.0	1.6	0...1	0...3	0...1	0...3	0...1	0...3	178331	178332	178333
		8.0	1.6	0...1	0...3	0...1	0...3	0...1	0...3	178335	178336	178337
		10.0	1.8	0...0.4	0...2	0...0.4	0...2	0...0.4	0...2	178339	178340	178341
NO	G ¼	3.0	0.28	0...16	0...16	0...16	0...16	0...16	0...16	211914	228487	228488
		4.0	0.54	0...10	0...10	0...10	0...10	0...10	0...10	208623	228489	228490
		6.0	0.95	0...6	0...6	0...6	0...6	0...6	0...6	211915	on request	227530
	G ⅜	6.0	0.95	0...6	0...6	0...6	0...6	0...6	0...6	228497	228498	228499
		8.0	1.6	0...3	0...3	0...3	0...3	0...3	0...3	228500	228501	228502
	G ½	8.0	1.6	0...3	0...3	0...3	0...3	0...3	0...3	211916	228503	228504
		10.0	1.8	0...2	0...2	0...2	0...2	0...2	0...2	210436	219530	210438

Further versions with alternative voltages, NPT- or RC-inner thread, seal material EPDM/EPDM on request.

Housing material stainless steel

Circuit function	Port connection	Orifice [mm]	K _v value water [m³/h]	Max. medium pressure [bar]						Article no. acc. to voltage/frequency [V/Hz]				
				Water		Oil		Air		24/DC	24/50	230/50		
				DC	AC	DC	AC	DC	AC					
G-inner thread, seal material FKM/FKM														
NC	G ¼	3.0	0.28	0...30	0...25	0...30	0...25	0...30	0...25	178239	178240	178241		
		4.0	0.54	0...12	0...16	0...12	0...16	0...12	0...16	178243	178244	178245		
		5.0	0.73	0...6	0...10	0...6	0...10	0...6	0...10	178247	178248	178249		
		6.0	0.95	0...3	0...6	0...3	0...6	0...3	0...6	178251	178252	178253		
	G ⅜	3.0	0.28	0...30	0...25	0...30	0...25	0...30	0...25	178255	178256	178257		
		4.0	0.54	0...12	0...16	0...12	0...16	0...12	0...16	178259	178260	178261		
		5.0	0.73	0...6	0...10	0...6	0...10	0...6	0...10	178263	178264	178265		
		6.0	0.95	0...3	0...6	0...3	0...6	0...3	0...6	178267	178268	178269		
	G ½	8.0	1.6	0...1	0...3	0...1	0...3	0...1	0...3	178271	178272	178273		
		6.0	0.95	0...3	0...6	0...3	0...6	0...3	0...6	178275	178276	178277		
		8.0	1.6	0...1	0...3	0...1	0...3	0...1	0...3	178279	178280	178281		
		10.0	1.8	0...0.4	0...2	0...0.4	0...2	0...0.4	0...2	178283	178284	178285		
		12.0	2	0...0.2	0...1.2	0...0.2	0...1.2	0...0.2	0...1.2	178287	178288	178289		
		NO	G ¼	3.0	0.28	0...16	0...16	0...16	0...16	0...16	0...16	230243	230244	230245
				4.0	0.54	0...10	0...10	0...10	0...10	0...10	0...10	230246	230247	230248
6.0	0.95			0...6	0...6	0...6	0...6	0...6	0...6	230255	230256	230257		
G ⅜	6.0		0.95	0...6	0...6	0...6	0...6	0...6	0...6	230255	230256	230257		
	8.0	1.6	0...3	0...3	0...3	0...3	0...3	0...3	230258	230259	230260			
G ½	8.0	1.6	0...3	0...3	0...3	0...3	0...3	0...3	230261	230262	230263			
	10.0	1.8	0...2	0...2	0...2	0...2	0...2	0...2	225248	230264	230265			
	12.0	2	0...1	0...1	0...1	0...1	0...1	0...1	210441	230266	210321			

Further versions with alternative voltages, NPT- or RC-inner thread, seal material EPDM/EPDM on request.

Ordering chart - Standard version pendulum seal up to 100 bar

Further versions on request.

Housing material brass

Circuit function	Port connection	Orifice [mm]	K _v value water [m ³ /h]	Max. medium pressure [bar]						Article no. acc. to voltage/frequency [V/Hz]		
				Water		Oil		Air		24/DC	24/50	230/50
				DC	AC	DC	AC	DC	AC			
G-inner thread, seal material PTFE/PEEK												
NC	G ¼	2.0	0.14	0...100	0...75	0...100	0...75	0...100	0...75	on request	on request	on request
		3.0	0.28	0...60	0...50	0...60	0...50	0...60	0...50	262435	on request	on request
		4.0	0.54	0...20	0...30	0...20	0...30	0...20	0...30	206367	on request	319934
		6.0	0.95	0...5	0...12	0...5	0...12	0...5	0...12	257403	on request	on request
	G ⅜	4.0	0.54	0...20	0...30	0...20	0...30	0...20	0...30	263995	on request	317310
		6.0	0.95	0...5	0...12	0...5	0...12	0...5	0...12	187966	on request	208842
		8.0	1.6	0...1	0...5	0...1	0...5	0...1	0...5	293606	on request	on request
	G ½	6.0	0.95	0...5	0...12	0...5	0...12	0...5	0...12	260425	on request	on request
		8.0	1.6	0...1	0...5	0...1	0...5	0...1	0...5	254796	on request	on request
		10.0	1.8	0...0.4	0...2	0...0.4	0...2	0...0.4	0...2	255365	on request	on request
NO	G ¼	2.0	0.14	0...30	0...16	0...16	0...16	0...16	0...16	on request	on request	on request
		3.0	0.28	0...16	0...10	0...10	0...10	0...10	0...10	214561	on request	231075
		4.0	0.54	0...10	0...6	0...6	0...6	0...6	0...6	299424	on request	on request
		6.0	0.95	0...6	0...2	0...2	0...2	0...2	0...2	317174	on request	on request
	G ⅜	4.0	0.54	0...10	0...6	0...6	0...6	0...6	0...6	263993	on request	on request
		6.0	0.95	0...6	0...2	0...2	0...2	0...2	0...2	251443	on request	on request
	G ½	6.0	0.95	0...6	0...2	0...2	0...2	0...2	0...2	254762	on request	on request

Further versions with alternative voltages, NPT- or RC-inner thread, seal material PTFE/FKM or PTFE/EPDM on request.

Housing material stainless steel

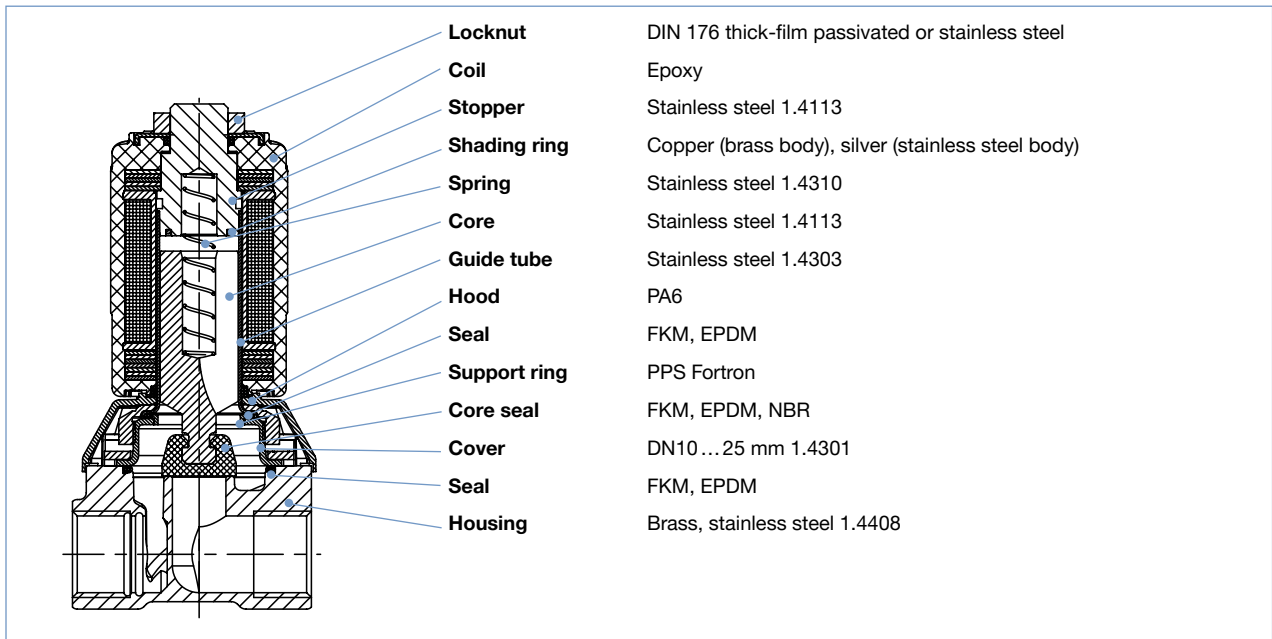
Circuit function	Port connection	Orifice [mm]	K _v value water [m ³ /h]	Max. medium pressure [bar]						Article no. acc. to voltage/frequency [V/Hz]		
				Water		Oil		Air		24/DC	24/50	230/50
				DC	AC	DC	AC	DC	AC			
G-inner thread, seal material PTFE/PEEK												
NC	G ¼	2.0	0.14	0...100	0...75	0...100	0...75	0...100	0...75	184689	271441	184690
		3.0	0.28	0...60	0...50	0...60	0...50	0...60	0...50	247937	on request	on request
		4.0	0.54	0...20	0...30	0...20	0...30	0...20	0...30	184692	230667	184693
		6.0	0.95	0...5	0...12	0...5	0...12	0...5	0...12	300077	on request	304305
	G ⅜	4.0	0.54	0...20	0...30	0...20	0...30	0...20	0...30	292674	on request	on request
		6.0	0.95	0...5	0...12	0...5	0...12	0...5	0...12	184695	202757	184696
		8.0	1.6	0...1	0...5	0...1	0...5	0...1	0...5	184698	on request	184699
	G ½	6.0	0.95	0...5	0...12	0...5	0...12	0...5	0...12	259348	on request	280481
		8.0	1.6	0...1	0...5	0...1	0...5	0...1	0...5	271411	on request	on request
		10.0	1.8	0...0.4	0...2	0...0.4	0...2	0...0.4	0...2	184701	on request	184702
		12.0	2	0...0.2	0...1.2	0...0.2	0...1.2	0...0.2	0...1.2	184704	227982	184705
	NO	G ¼	2.0	0.14	0...30	0...16	0...16	0...16	0...16	0...16	on request	on request
3.0			0.28	0...16	0...10	0...10	0...10	0...10	0...10	256088	on request	255406
4.0			0.54	0...10	0...6	0...6	0...6	0...6	0...6	242618	on request	223726
6.0			0.95	0...6	0...2	0...2	0...2	0...2	0...2	299913	on request	on request
G ⅜		4.0	0.54	0...10	0...6	0...6	0...6	0...6	0...6	on request	on request	on request
		6.0	0.95	0...6	0...2	0...2	0...2	0...2	0...2	267659	316119	239314
G ½		6.0	0.95	0...6	0...2	0...2	0...2	0...2	0...2	on request	on request	on request

Further versions with alternative voltages, NPT- or RC-inner thread, seal material PTFE/FKM or PTFE/EPDM on request.

Version DN13

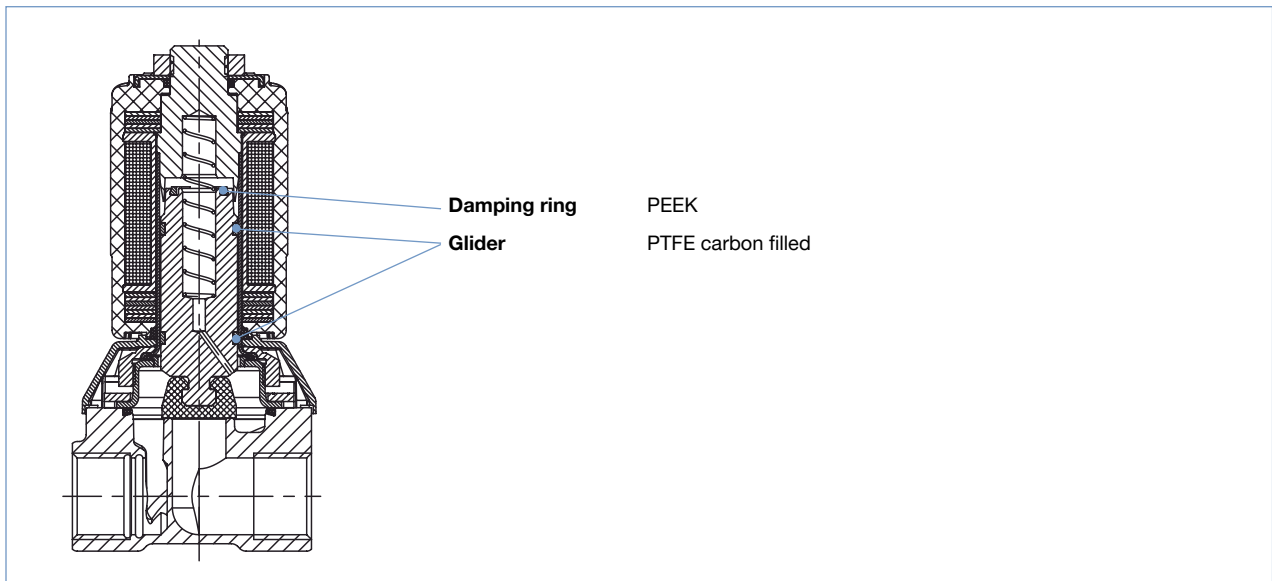
Materials - Version DN13

Version Standard DN13

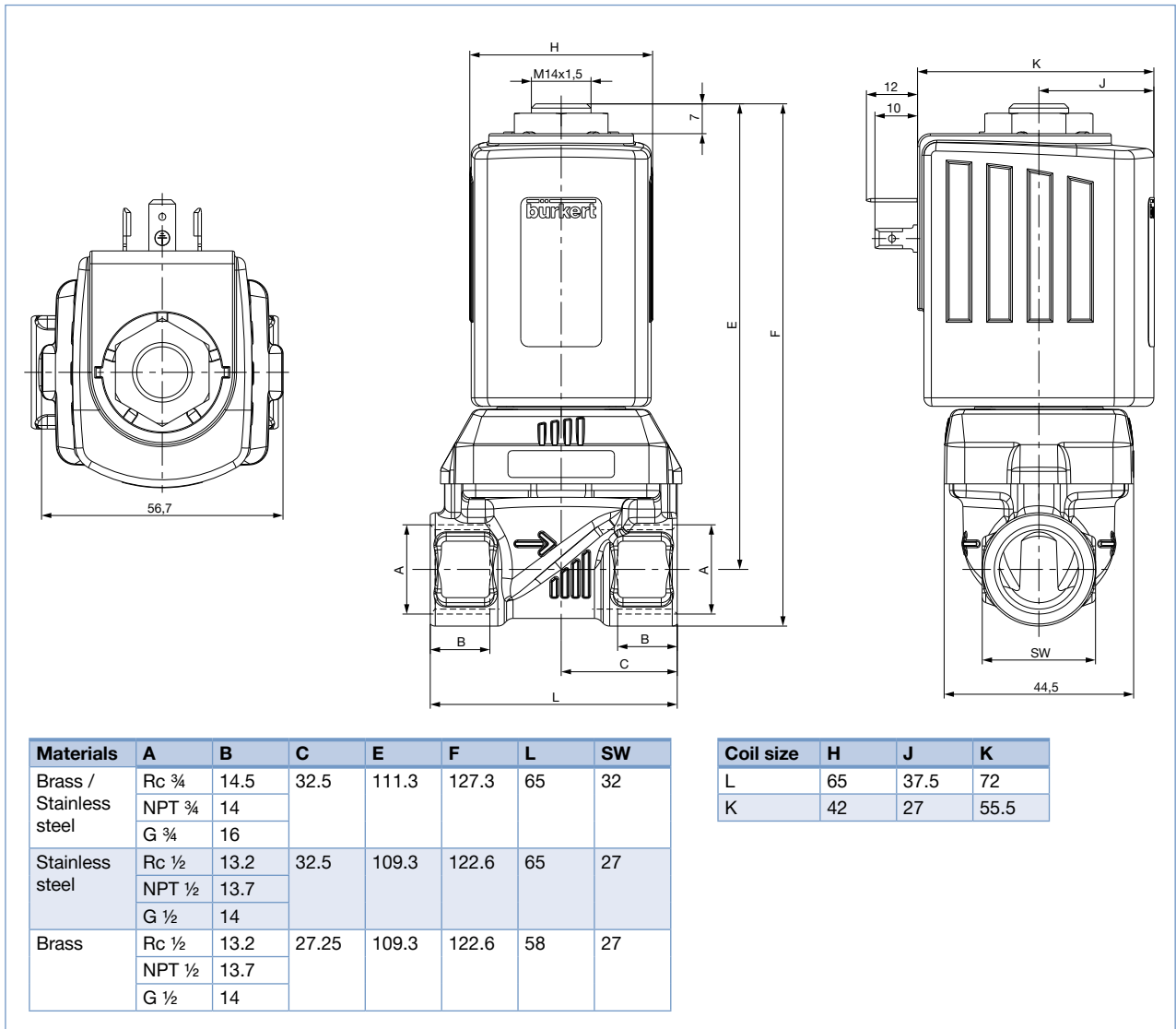


Version DN13 with increased lifespan NF39

All parts are the same as standard, but with two additional parts as follows.



Dimensions [mm] - Version DN13



Ordering chart - Version DN13

Further versions on request.

Version for liquid and gaseous media with increased lifespan and noise reduction NF39

Circuit function	Port connection	Orifice [mm]	K _v value water [m ³ /h]	Max. medium pressure [bar]						Article no. acc. to voltage/ frequency [V/Hz]		
				Water		Oil		Air		24/DC	24/AC	230/AC
				DC	AC	DC	AC	DC	AC			
Housing material brass, seal material FKM/FKM												
NC	G 1/2	13.0	4	0...0.15	0...0.15	0...0.15	0...0.15	0...0.15	0...0.15	315080	315082	315084
				0...0.75	-	0...0.75	-	0...0.75	-	315088	-	-
	NPT 1/2	13.0	4	0...0.15	0...0.15	0...0.15	0...0.15	0...0.15	0...0.15	315095	315097	315100
				0...0.75	-	0...0.75	-	0...0.75	-	315102	-	-

Further versions with alternative voltages, stainless steel body, 3/4" connection, seal material EPDM/EPDM on request.

Version only for liquid media

Circuit function	Port connection	Orifice [mm]	K _v value water [m ³ /h]	Max. medium pressure [bar]						Article no. acc. to voltage/frequency [V/Hz]		
				Water		Oil		Air		24/DC	24/50	230/50
				DC	AC	DC	AC	DC	AC			
Housing material brass, seal material FKM/FKM												
NC	G ½	13.0	4	-	0...0.75	-	0...0.75	-	0...0.75	-	315089	315093
	NPT ½	13.0	4	-	0...0.75	-	0...0.75	-	0...0.75	-	315103	315105

Further versions with alternative voltages, stainless steel body, ¼" connection, seal material EPDM/EPDM on request.

DIN EN 161 PO19 certification version

Materials / Dimensions - DIN EN 161 PO19 certification version

See standard version and version DN13.

Ordering chart - DIN EN 161 PO19 certification version

Further versions on request

DIN EN 161 version automatic shut-off valves for gas burners up to 5 bar with increased lifespan NF39

Circuit function	Port connection	Orifice [mm]	K _v value water [m ³ /h]	Max. medium pressure [bar]		Seal material	Coil size [mm]	Article no. acc. to voltage/frequency [V/Hz]		
				Gas				24/DC	24/AC	230/AC
				DC	AC					
G-inner thread, housing material stainless steel, seal material NBR/NBR or FKM/FKM optional, cable head with integrated rectifier for AC included.										
NC	G ¾	4.0	0.54	0...6	0...10	FKM	42	322103	on request	on request
				0...15	-	NBR	65	322105	-	-
	G ¾	6.0	0.95	0...2.5	0...2.5	FKM	42	on request	on request	on request
				0...7.5	-	NBR	65	on request	-	-
	G ½	8.0	1.6	0...1.3	0...1.3	FKM	42	322107	on request	on request
				0...4	-	NBR	65	322109	-	-
	G ½	10.0	1.8	0...0.5	0...0.5	FKM	42	on request	on request	on request
				0...1.8	-	NBR	65	on request	-	-
	G ½	12.0	2	0...0.4	0...0.4	FKM	42	on request	on request	on request
				0...1.4	-	NBR	65	on request	-	-
	G ½	13.0	0.28	0...0.15	0...0.15	FKM	42	322110	on request	on request
				0...0.75	-	NBR	65	322112	-	-

Further versions with alternative voltages, brass housing, ¼" or ¾" connection on request.

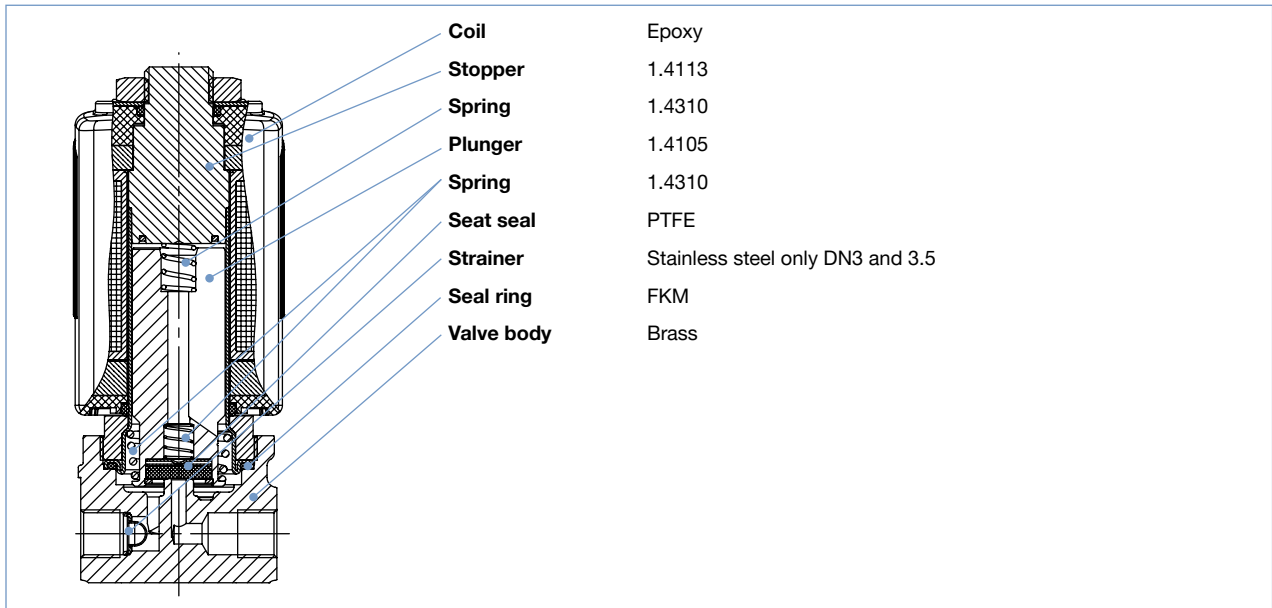
DIN EN 161 version automatic shut-off valves for gas burners up to 5 bar in standard

Circuit function	Port connection	Orifice [mm]	K _v value water [m ³ /h]	Max. medium pressure [bar]		Seal material	Coil size [mm]	Article no. acc. to voltage/frequency [V/Hz]	
				Gas				24/50	230/50
				DC	AC				
G-inner thread, housing material brass, seal material NBR/NBR									
NC	G ¾	4.0	0.54	0...13	-	NBR	42	on request	322106
	G ½	6.0	0.95	0...5.5	-	NBR	42	on request	291453
	G ½	8.0	1.6	0...2.3	-	NBR	42	on request	270994
	G ½	10.0	1.8	0...1.3	-	NBR	42	on request	267347
	G ½	13.0	0.28	0...0.5	-	NBR	42	on request	322113

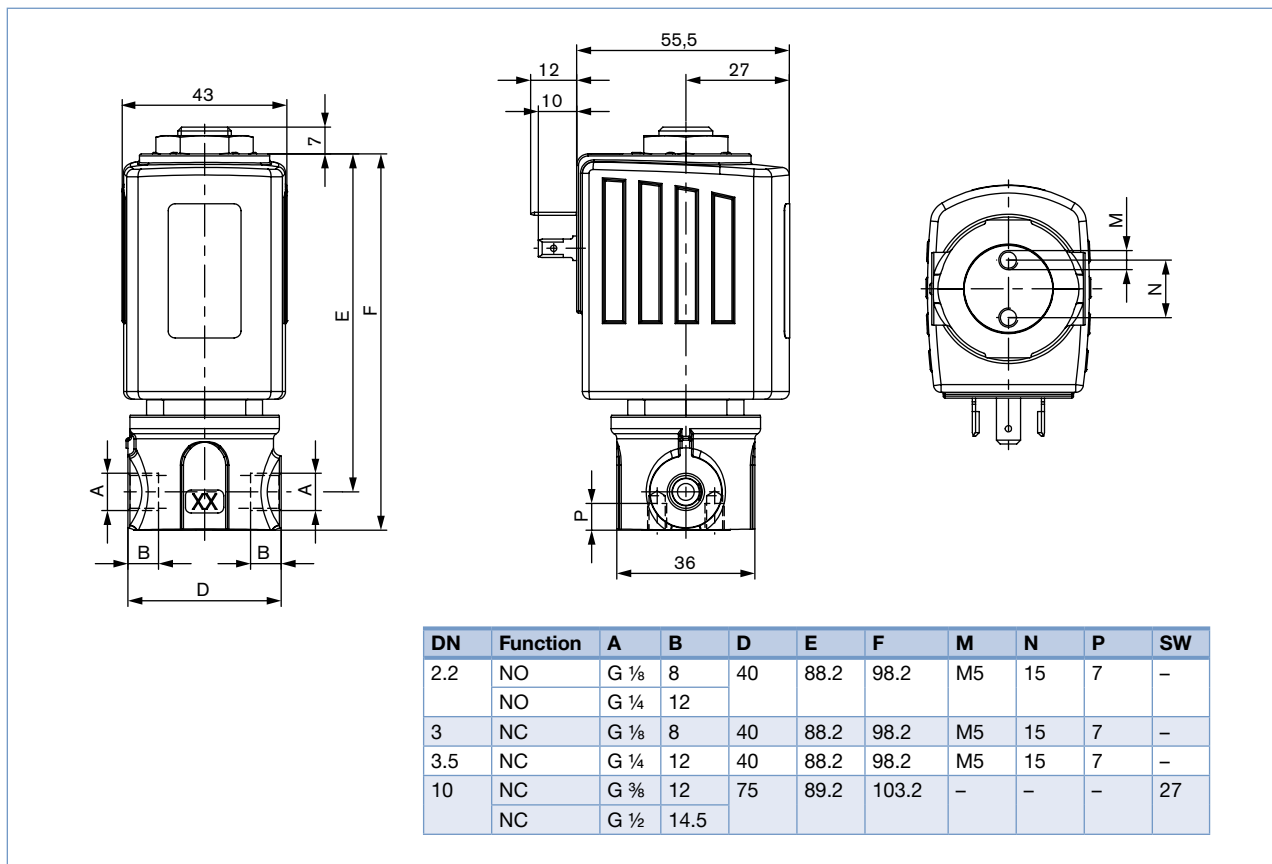
Further versions with alternative voltages in AC, stainless steel body, ¼" or ¾" connection, seal material FKM/FKM on request.

Oil burner version PF15

Materials - Oil burner version PF15



Dimensions [mm] - Oil burner version PF15



Technical data - Oil burner version PF15

Technical data - Oil burner version PF15				
Media	Heating oil (EL, L, M, S) acc. to DIN 51603 part 1...6 Shipping fuels acc. to ISO 8217 Fatty acid methyl ester (FAME) acc. to DIN EN 14213 Rapeseed oil acc. to DIN V 51605	DIN Certco registration	DN 2.2 (NO) 3.0 (NC) 3.5 (NC) 10 (NC)	Reg.No. 5S255 5S255 5S255 5S255
Viscosity	1.6... 76 cSt (DN2, 2 NC 1.6... 22 cSt)	Port connection	G 1/8, G 1/4, G 3/8, G 1/2	
Media temperature	0... 160 °C	Orifice	DN2.2, DN3.0, DN3.5, DN10	
Ambient temperature	-15... +60 °C	Housing material	Brass	
Voltages	110... 120 V/50 Hz, 220... 240 V/50 Hz, others on request	Seat sealing/outer seal	PTFE/FKM	

Ordering chart - Oil burner version PF15

Further versions on request.

Version DIN EN ISO 23553-1 Safety isolating equipment for liquid fuels PF15

Circuit function	Port connection	Orifice [mm]	K _v value water [m³/h]	Closing times [ms]	Applications	Max. medium pressure [bar]		Electrical power		Article no. acc. to voltage/frequency [V/Hz]	
						Oil differential pressure	static	Operation [W]	Acceleration [VA]	110-120 /50	220-240 /50
G-inner thread, housing material brass, seal material PTFE/FKM											
NC	G 1/8	3.0	0.22	30	feed line	0... 30	30	20	120	322828	322829
			0.18		return line					on request	322830
	G 1/4	3.0	0.22	30	feed line	0... 30	30	20	120	301016	284833
			0.18		return line					on request	on request
			0.38		feed line					on request	on request
G 3/8	10.0	2	50	return line	-	30	20	180	281948	281947	
G 1/2	10.0	2	50	return line	-	30	20	180	301018	261036	
NO	G 1/4	2.2	0.16	30	circulation line	0... 30	30	20	120		

Further versions with alternative voltages, frequencies and thread connections on request.

Feed line valve/return line valve combinations

If the oil burner is designed with a return nozzle and without a nozzle shut-off valve (see DIN EN 267), the feed line and return line valves with safety shut-off function are required. The following combinations are possible:

Feed line valve				Return line valve			
Type	Orifice [mm]	Housing material	K _v -Wert (Water) [m³/h]	Type	Orifice [mm]	Housing material	K _v value (Water) [m³/h]
6027	3	Brass	0.22	6027	3	Brass	0.18
6027	3.5	Brass	0.38	6027	3.5	Brass	0.35
5406*	13	Brass	3.5	6027	10	Brass	1.8
5406*	20	Stainless steel	6.3	5407**	20	Stainless steel	4.7

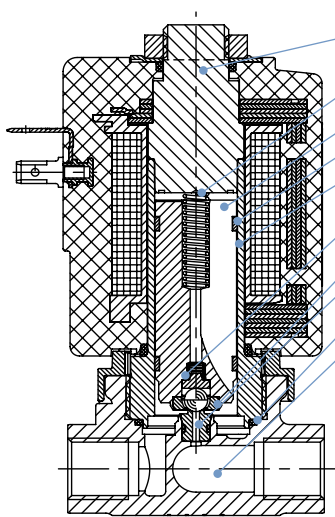
* see data sheet Type 5406 solenoid valve safety shut off valve for oil burner

** see data sheet Type 5407 solenoid valve safety shut off valve for oil burner

High pressure version MX31 & MX32

Materials - High pressure version MX31 & MX32

High pressure version from 135 bar
Circuit function A



Stopper	1.4523
Compression springs	1.4310
Plunger	Stainless steel 1.4113
Glider	PTFE
Armature guide tube	1.4571
Ball seat	1.4305
Seat seal	Ceramic ball
Seat	PEEK
O-rings	FKM
Housing	Stainless steel 1.4404 (316L) only in 1/4" G and NPT

Ordering chart - High pressure version MX31 & MX32

Further versions on request.

High pressure version with ball sealing - pressure stage up to 250 bar (MX32) or 160 bar (MX31)

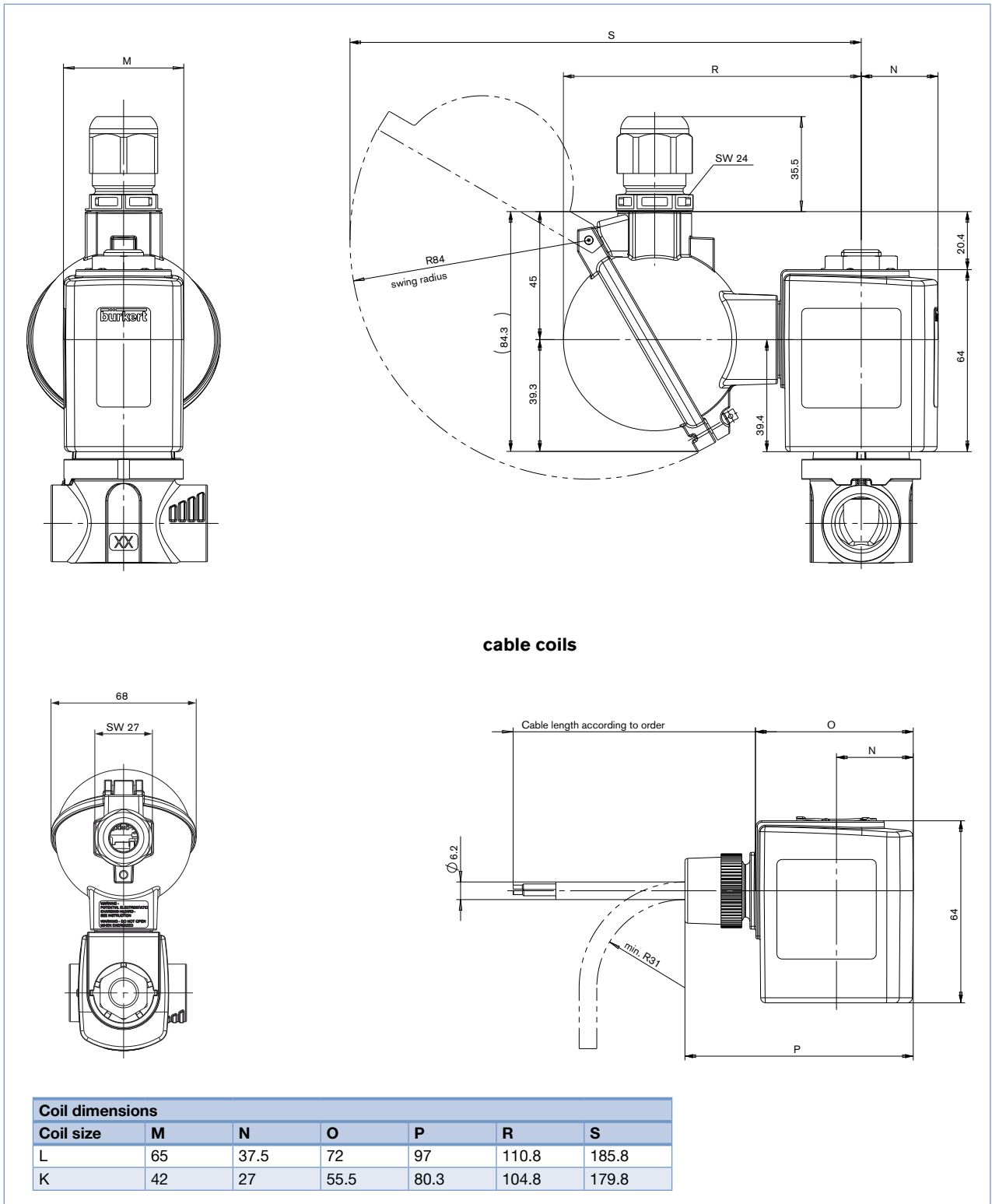
Circuit function	Port connection	Orifice [mm]	K _v value water [m ³ /h]	Max. medium pressure [bar]						Article no. acc. to voltage/frequency [V/Hz]		
				Water		Oil		Air		24/DC	24/AC	230/AC
				DC	AC	DC	AC	DC	AC			
Housing material stainless steel, G-inner thread, seal material PEEK/FKM, cable head with integrated rectifier for AC part of delivery												
NC	G 1/4	1.0	0.03	0...250	0...250	0...250	0...250	0...250	0...250	265507	-	267229
				0...250	0...250	0...200	0...200	0...250	0...250	-	267226	-
		1.5	0.07	0...150	0...150	0...80	0...80	0...150	0...150	267217	-	267237
				0...150	0...150	0...70	0...70	0...150	0...150	-	267234	-
NO	G 1/4	1.0	0.03	0...200	0...200	0...150	0...150	0...250	0...250	269823	267219	267239
				0...100	0...100	0...80	0...80	0...130	0...130	269824	267240	271269

Further versions with alternative voltages, NPT- or RC-inner thread, seal material PEEK/EPDM on request.

ATEX/IECEX version

Dimensions [mm] - ATEX/IECEX version

Dimensions apply exclusively to ATEX/IECEX version of the solenoid coil. For other dimensions see previous versions.



Ordering chart - ATEX/IECEx version with 3 meter cable

Further versions on request.

Standard version with elastomer seal and brass housing

Circuit function	Port connection	Orifice [mm]	K _v value water [m ³ /h]	Max. medium pressure [bar]			Article no. acc. to voltage/frequency [V/Hz]	
				Water	Oil	Air	24/UC	230/UC
G-inner thread, seal material FKM/FKM								
NC	G ¼	3.0	0.28	0...16	0...16	0...16	on request	on request
		4.0	0.54	0...6	0...6	0...6	on request	on request
		5.0	0.73	0...2	0...2	0...2	on request	298656
	G ½	6.0	0.95	0...1	0...1	0...1	on request	298657
		8.0	1.6	0...0.5	0...0.5	0...0.5	on request	on request
		10.0	1.8	0...0.1	0...0.1	0...0.1	310656	310655

Further versions with Normally Open, alternative voltages, stainless steel body, NPT- or RC-inner thread, seal material EPDM/EPDM on request.

Standard version with pendulum seal and stainless steel body

Circuit function	Port connection	Orifice [mm]	K _v value water [m ³ /h]	Max. medium pressure [bar]			Article no. acc. to voltage/frequency [V/Hz]	
				Water	Oil	Air	24/UC	230/UC
G-inner thread, seal material FKM/FKM								
NC	G ¼	2.0	0.14	0...60	0...60	0...60	298649	298648
		3.0	0.28	0...20	0...20	0...20	298659	on request
		4.0	0.54	0...8	0...8	0...8	298647	on request
	G ½	6.0	0.95	0...1.5	0...1.5	0...1.5	298660	on request
		8.0	1.6	0...0.5	0...0.5	0...0.5	on request	on request
		10.0	1.8	0...0.2	0...0.2	0...0.2	on request	on request
		12.0	2	0...0.1	0...0.1	0...0.1	on request	on request

Further versions with Normally Open, alternative voltages, brass housing, NPT- or RC-inner thread, seal material PTFE/FKM or PTFE/EPDM on request.

Version DN13 with increased lifespan and noise reduction NF39

Circuit function	Port connection	Orifice [mm]	K _v value water [m ³ /h]	Max. medium pressure [bar]			Article no. acc. to voltage/frequency [V/Hz]	
				Water	Oil	Air	24/UC	230/UC
G-inner thread, seal material FKM/FKM								
NC	G ½	13.0	4	0...0.5	0...0.5	0...0.5	322817	322818

Further versions with alternative voltages, stainless steel body, NPT- and RC-inner thread, ¾" connection, seal material EPDM/EPDM on request.

High pressure version with ball sealing - pressure stages up to 250 bar (MX32) or 160 bar (MX31)

Circuit function	Port connection	Orifice [mm]	K _v value water [m ³ /h]	Max. medium pressure [bar]			Article no. acc. to voltage/frequency [V/Hz]	
				Water	Oil	Air	24/UC	230/UC
Housing material Stainless steel, G-inner thread								
NC	G ¼	1.0	0.03	0...200	0...150	0...250	298651	298652
		1.5	0.07	0...80	0...40	0...100	298653	298654
NO	G ¼	1.0	0.03	0...200	0...200	0...150	298667	on request
		1.5	0.07	0...100	0...100	0...80	on request	on request

Further versions with alternative voltages, NPT- and RC-inner thread, seal material PEEK/EPDM on request.

Ordering chart - ATEX/IECEX version clamp junction box

Further versions on request.

Standard version with elastomer seal and brass housing

Circuit function	Port connection	Orifice [mm]	K _v value water [m ³ /h]	Max. medium pressure [bar]			Article no. acc. to voltage/frequency [V/Hz]	
				Water	Oil	Air	24/UC	230/UC
G-inner thread, seal material FKM/FKM								
NC	G ¼	3.0	0.28	0...16	0...16	0...16	on request	on request
		4.0	0.54	0...6	0...6	0...6	on request	on request
		5.0	0.73	0...2	0...2	0...2	314976	314978
		6.0	0.95	0...1	0...1	0...1	314191	on request
	G ½	8.0	1.6	0...0.5	0...0.5	0...0.5	on request	on request
		10.0	1.8	0...0.1	0...0.1	0...0.1	310655	310656

Further versions with normally open, alternative voltages, stainless steel body, NPT- or RC-inner thread, seal material EPDM/EPDM on request.

Standard version with pendulum seal and stainless steel body

Circuit function	Port connection	Orifice [mm]	K _v value water [m ³ /h]	Max. medium pressure [bar]			Article no. acc. to voltage/frequency [V/Hz]	
				Water	Oil	Air	24/UC	230/UC
G-inner thread, seal material FKM/FKM								
NC	G ¼	2.0	0.14	0...60	0...60	0...60	on request	030488
		3.0	0.28	0...20	0...20	0...20	316557	on request
		4.0	0.54	0...8	0...8	0...8	on request	on request
	G ½	6.0	0.95	0...1.5	0...1.5	0...1.5	on request	on request
		8.0	1.6	0...0.5	0...0.5	0...0.5	on request	on request
		10.0	1.8	0...0.2	0...0.2	0...0.2	on request	on request
		12.0	2	0...0.1	0...0.1	0...0.1	on request	on request

Further versions with normally open, alternative voltages, brass housing, NPT- or RC-inner thread, seal material PTFE/FKM or PTFE/EPDM on request.

Version DN13 with increased lifespan and noise reduction

Circuit function	Port connection	Orifice [mm]	K _v value water [m ³ /h]	Max. medium pressure [bar]			Article no. acc. to voltage/frequency [V/Hz]	
				Water	Oil	Air	24/UC	230/UC
G-inner thread, seal material FKM/FKM								
NC	G ½	13.0	4	0...0.5	0...0.5	0...0.5	322819	322821

Further versions with alternative voltages, stainless steel body, NPT- and RC-inner thread, ¾" connection, seal material EPDM/EPDM on request.

High pressure version with ball sealing - pressure ratings up to 250 bar (MX32) or 160 bar (MX31)

Circuit function	Port connection	Orifice [mm]	K _v value water [m ³ /h]	Max. medium pressure [bar]			Article no. acc. to voltage/frequency [V/Hz]	
				Water	Oil	Air	24/UC	230/UC
Housing material stainless steel, G-inner thread								
NC	G ¼	1.0	0.03	0...200	0...150	0...250	304891	on request
		1.5	0.07	0...80	0...40	0...100	on request	on request
NO	G ¼	1.0	0.03	0...200	0...200	0...150	on request	on request
		1.5	0.07	0...100	0...100	0...80	on request	on request

Further versions with alternative voltages, NPT-connection, seal material PEEK/EPDM on request.

i Further versions on request



Certification

cULus(UL-listed) certification
 cURus(UL-recognized) certification
 Drinking water approval acc. to KTW/W270
 FDA (Food and Drug Administration) certification
 Versions for oxygen applications



Temperature

Special temperature ranges



Port connection

NPT
 RC




Voltage

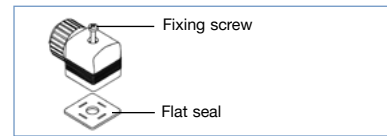
110/50 and further non-standard voltages

Ordering chart accessories

Cable plug Type 2508 according to DIN EN 175 301-803, Form A

	Circuitry	Voltage/ Frequency	Article no.
	Without (Standard)	0 ... 250 V AC/DC	008376
	With LED	12 ... 24 V AC/DC	008360
	With LED and varistor	12 ... 24 V AC/DC	008367
	With rectifier, LED and Varistor	12 ... 24 V AC/DC	008363
	With LED	200 ... 240 V	008362
	With LED and varistor	200 ... 240 V	008369

Further versions see data sheet Type 2508.


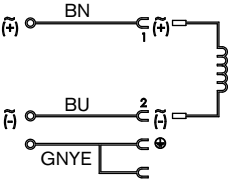


The delivery of a cable plug includes the flat seal and the fixing screw. For other cable plug versions according to DIN EN 175 301-803 (previously DIN 43650) Form A, see separate datasheet for Type 2508. When you click on the orange box "More info." below, you will come to our website for the resp. product where you can download the datasheet.

More info.

Cable plug Type 2513 according to DIN EN 175 301-803, Form A





Meets requirements ATEX cat. 3 GD.

		Cable length [mm]	Article no. [mm]
		12000	260893
5000	260892		
3000	260891		
300	260890		

6027
2/2 way

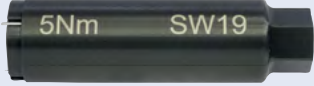

Cable glands for ATEX/IECEX terminal box

Polyamid version part of delivery / brass nickel-plated orderable for an additional charge.

		Ex certification		Article no.
		Certificate	Labelling	
	Brass nickel-plated, 6... 13 mm	PTB 04 ATEX 1112 X, IECEx PTB 13.0027X	II 2 G Ex e IIC Gb, II 2 D Ex tb IIIC Db IP68	773278 
	Polyamide, 7... 13 mm	PTB 13 ATEX 1015 X, IECEx PTB 13.0034X	II 2 G Ex e IIC Gb, II 2 D Ex tb IIIC Db IP68	773277 

Special tool for turning the terminal box

Not included in the valve delivery.

		Article no.
	5Nm SW19	Set SC02-AC10 Special key Service manual
		293488 

To find your nearest Bürkert facility, click on the orange box



www.burkert.com

In case of special application conditions,
please consult for advice.

Subject to alterations

1902/22_EN-en_00895015