



Type 3233 with weld end connection, diaphragm size 8

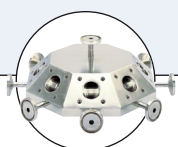
Type 3233 with clamp connection

Type 3233 can be combined with...



Type 2031

Solenoid valve



Multi-Port Block



Type 3233/2031

Tandem valve

2/2 way Diaphragm Valve, manually operated, forged valve body, weld end and clamp connection, port connection DN8 - 100

- Hermetical separation of fluids from the operating mechanism by diaphragm
- Zero dead volume
- Various surface finishes
- Quality certifications

The manually-operated diaphragm valve in compact form of the Type 3233 consists of a flow-optimised stainless steel body with various surface finishes, a diaphragm and a manual actuator.

The material combinations are selectable. The diaphragm is both a switch element and a sealing element to the outside. It can be easily replaced. The flow can be continually adjusted with the handwheel.

The valves have no dead volume and can be mounted to be self-draining. This enables high flow capacities and a variety of applications to be realized. The valves are autoclavable.

Applications

- Pharma
- Biotechnology
- Food industry

Technical data	
Port connection size	DN6 - DN100 (1/8" - 4")
Diaphragm size	8 - 100
Port connections	
Weld ends acc.	DIN EN ISO 1127/ISO 4200/DIN11866 B DIN 11850 2/DIN11866 A ASME BPE / DIN 11866 C BS4825 SMS 3008 DIN 11850 0
Clamps acc.	DIN 32676 B (with pipe ISO 4200) DIN 32676 A (with pipe DIN 11850 2) ASME BPE further port connections on request
Materials	
Body	Stainless steel 316L / 1.4435 / BN2
Actuator	Handwheel / Bonnet
Diaphragm size 8	PPS (Stainless steel on request) / Stainless steel
Diaphragm size 15 - 50	PPS (Stainless steel on request) / PPS (Stainless steel on request)
Diaphragm size 80 - 100	Stainless steel / Stainless steel
Diaphragm materials	EPDM (AB), PTFE/EPDM (EA) EPDM (AD), advanced PTFE/EPDM (EU), GYLON®/EPDM laminated (ER) and FKM (FF) on request
Media	Neutral gases and liquids, high-purity, sterile, aggressive or abrasive fluids
Viscosity	Up to viscous
Surface finish	
internally electropolished (external surface forged electropolished)	Ra ≤ 0.38 µm (ASME BPE SF4)
internally mechanically polished (external surface forged)	Ra ≤ 0.5 µm (ASME BPE SF1)
Medium temperature	
EPDM (AB), PTFE/EPDM (EA)	-10 to +130 °C (steam sterilisation +140 °C for 60 min)
EPDM (AD), advanced PTFE/EPDM (EU)	-5 to +143 °C (steam sterilisation +150 °C for 60 min)
GYLON®/EPDM laminated (ER)	-5 to +130 °C (steam sterilisation +140 °C for 60 min)
FKM (FF)	0 to +130 °C (not recommended for steam)
Ambient temperature	up to +130 °C (briefly up to +150 °C)
Installation	As required, preferably with actuator in upright position

Technical data, pressure

Port Connection DN		Dia- phragm size	Max. media pressure [bar]	K _v value [m ³ /h]					
[mm]	[inch]			DIN EN ISO 1127 ISO 4200 DIN 11866 B	DIN 11850 2 DIN 11866 A	ASME BPE DIN 11866 C	BS4825	SMS3008	DIN 11850 0
6	¼"	8	10	-	-	-	-	-	1.1
8	¼"	8	10	1.5	-	0.7	0.5	-	1.7
10	⅜"	8	10	1.5	1.5	1.6	1.4	-	-
15	½"	8	10	-	-	1.5	-	-	-
10	⅜"	15	10	5.5	3.5	-	-	-	-
15	½"	15	10	6.5	6.5	3.1	3.7	-	-
20	¾"	15	10	-	-	6.5	-	-	-
20	¾"	20	10	12.5	12.4	8.4	8.9	-	-
25	1"	25	10	18	20	15.5	15.5	16	-
32	1 ¼"	40	10	-	34	-	-	-	-
40	1 ½"	40	10	41	40	37	37	37.8	-
50	2"	50	7	66	66	66	66	66	-
65	2 ½"	50	7	-	-	66	66	66	-
65	2 ½"	80	10	160	160	160	160	-	-
80	3"	80	10	160	160	160	160	160	-
100	4"	100	6	235	235	235	235	-	-

Flow rate: K_v value [m³/h] for elastomer diaphragms measured at 20 °C and 1 bar pressure drop at mean operating pressure

Pressure values: Overpressure to the atmospheric pressure. valve closes dynamically against max. operating pressure

Approvals

Suitable for foodstuffs / sterile applications



- The composition of the EPDM (AB), EPDM (AD), Gylon®/EPDM laminated (ER) and advanced PTFE (EU) diaphragms corresponds to the Code of Federal Regulations, published by the FDA (Food and Drug Administration, USA).



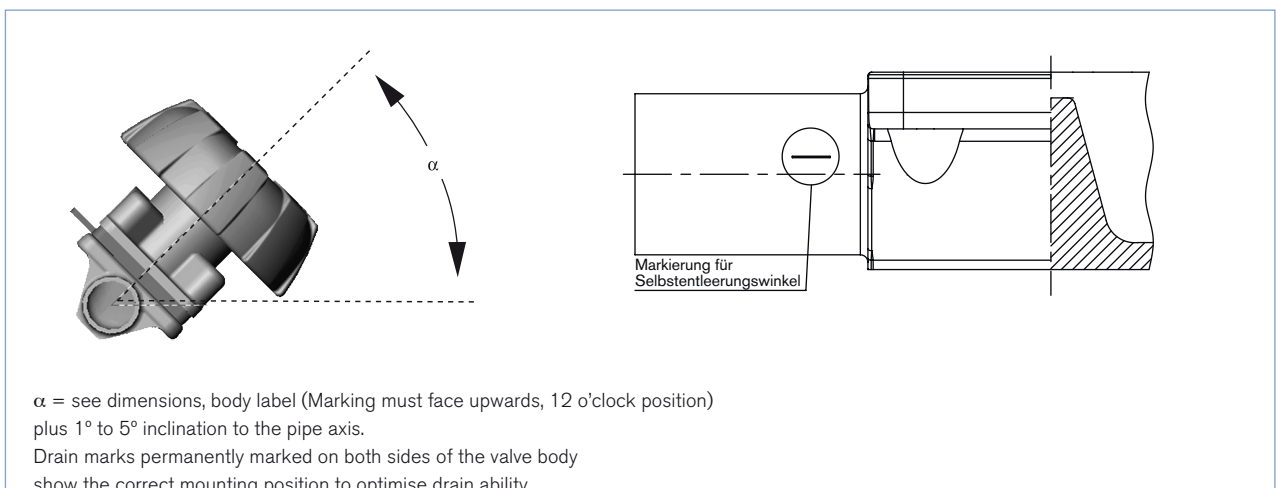
- The composition of the EPDM (AB), EPDM (AD), Gylon®/EPDM laminated (ER), PTFE/EPDM (EA) and advanced PTFE (EU) diaphragms is suitable for the application with food and beverage (acc. to EC-Regulation 1935/2004/EC)

- The composition of the EPDM (AB), EPDM (AD), Gylon®/EPDM laminated (ER), PTFE/EPDM (EA) und advanced PTFE (EU) diaphragms are approved acc. USP Class VI



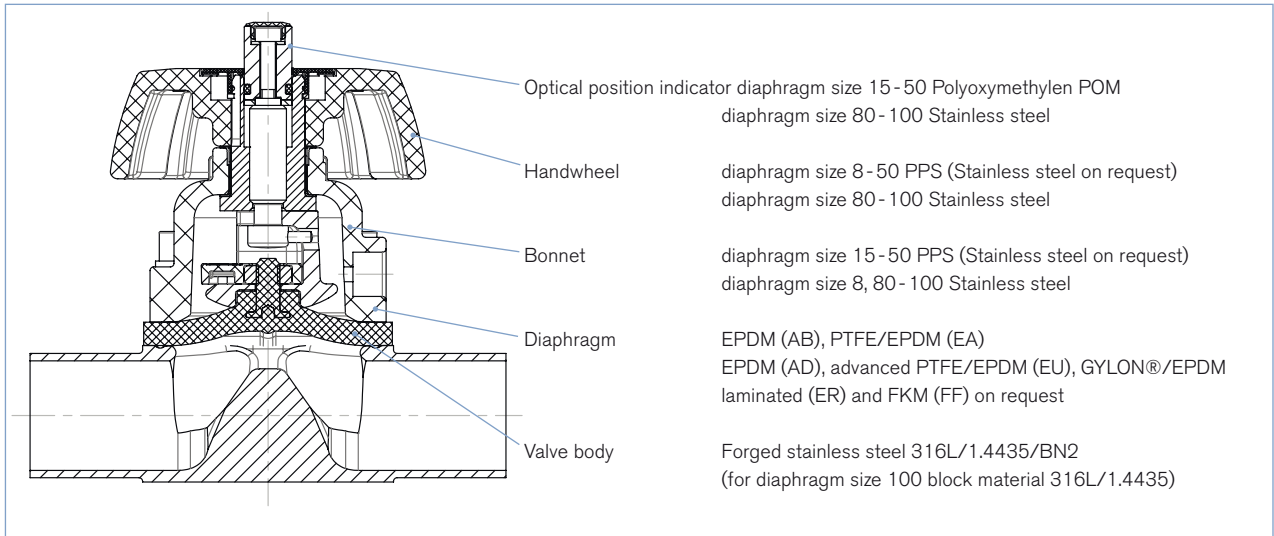
- Diaphragm valve according to 3-A approved on request (3-A Sanitary Standards Symbol Administrative Council)

Installation for self-draining operation

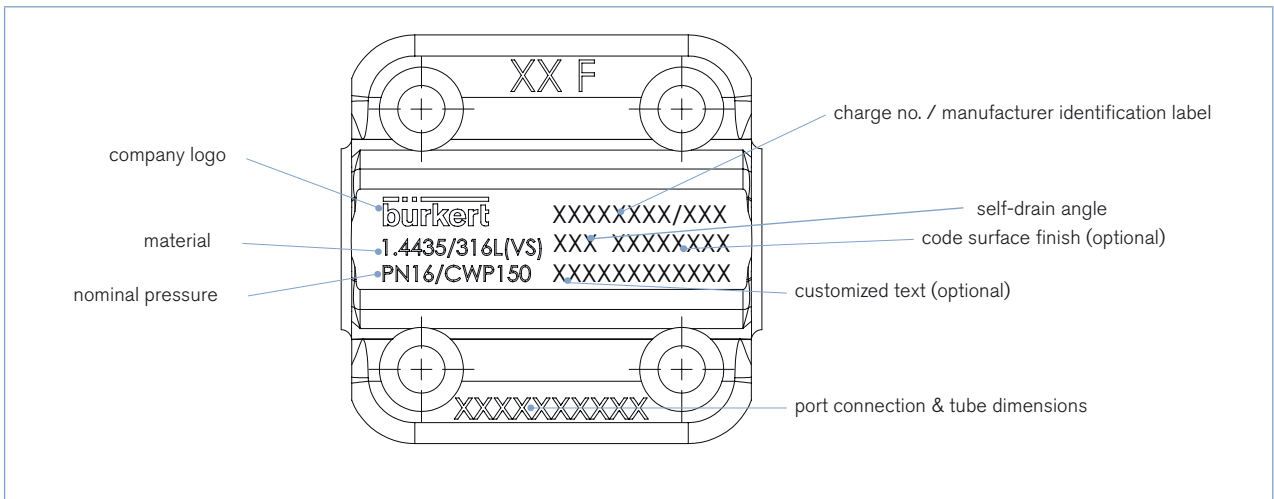


Materials

Diaphragm size 8 - 50



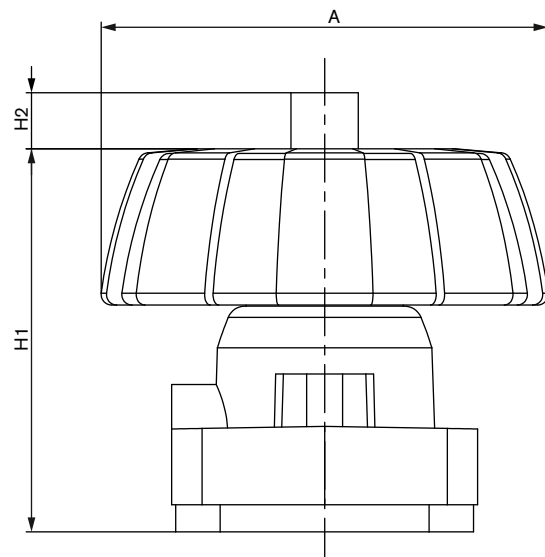
Body label



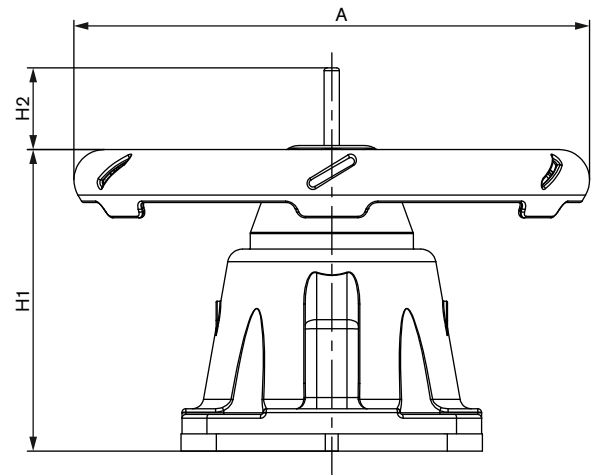
Dimensions [mm]

Actuator

Diaphragm size 8 - 50



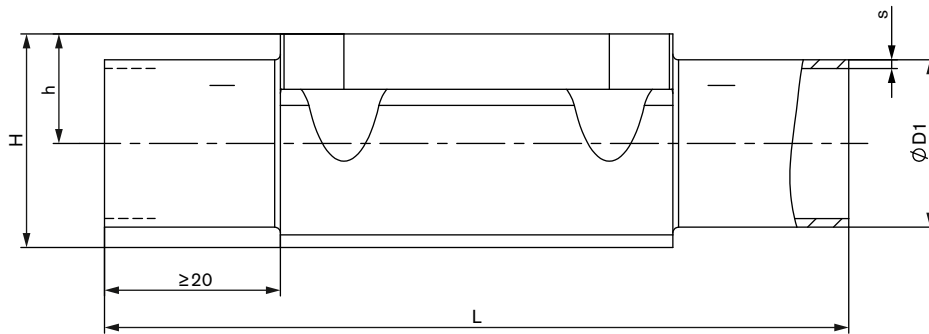
Diaphragm size 80 - 100



Diaphragm size	H1	H2	ØA
8	46.5	-	35
15	70	7	86
20	73	11	86
25	75	12	86
40	88	19	114
50	97	25	114
80	161	43	272
100	161	49	272

Dimensions [mm]

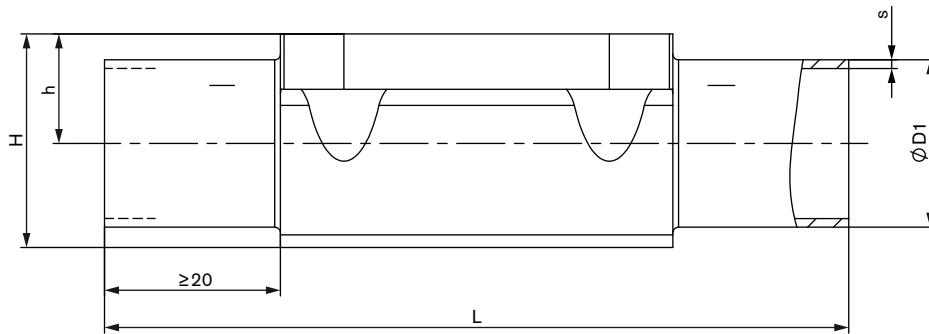
forged body - weld end



Port Connection DN		Diaphragm Size	ØD1	s	h	H	L	self-drain angle α
[mm]	[inch]							
DIN EN ISO 1127 / ISO 4200 / DIN 11866 B								
8	¼"	8	13.5	1.6	9	19	90	24
10	⅜"	8	17.2	1.6	9	19	90	13
10	⅜"	15	17.2	1.6	12	24	110	25
15	½"	15	21.3	1.6	12	24	110	18
20	¾"	20	26.9	1.6	16	30	119	17
25	1"	25	33.7	2.0	19	37	129	19
40	1 ½"	40	48.3	2.0	28	52	161	14
50	2"	50	60.3	2.0	36	68	192	14
65	2 ½"	80	76.1	2.0	51	98	250	20
80	3"	80	88.9	2.3	51	98	250	15
100	4"	100	114.3	2.3	64	127	295	13.5
DIN 11850 2 / DIN 11866 A								
10	⅜"	8	13.0	1.5	9	19	90	24
10	⅜"	15	13.0	1.5	8	20	110	40
15	½"	15	19.0	1.5	12	24	110	22
20	¾"	20	23.0	1.5	16	30	119	22
25	1"	25	29.0	1.5	19	37	129	23
32	1 ¼"	40	35.0	1.5	28	52	161	26
40	1 ½"	40	41.0	1.5	28	52	161	20
50	2"	50	53.0	1.5	36	68	192	18
65	2 ½"	80	70.0	2.0	51	98	250	22.5
80	3"	80	85.0	2.0	51	98	250	16
100	4"	100	104.0	2.0	64	127	295	17
ASME BPE / DIN 11866 C								
8	¼"	8	6.35	0.89	6	15	78	48
10	⅜"	8	9.53	0.89	6	15	89	39
15	½"	8	12.70	1.65	9	19	89	26
15	½"	15	12.70	1.65	8	20	108	41
20	¾"	15	19.05	1.65	12	24	108	22
20	¾"	20	19.05	1.65	16	30	117	29
25	1"	25	25.40	1.65	19	37	127	27
40	1 ½"	40	38.10	1.65	28	52	159	24
50	2"	50	50.80	1.65	36	68	190	20
65	2 ½"	50	63.50	1.65	36	68	192	11
65	2 ½"	80	63.50	1.65	51	98	250	25
80	3"	80	76.20	1.65	51	98	250	19
100	4"	100	101.60	2.11	64	127	295	18

Dimensions [mm], *continued*

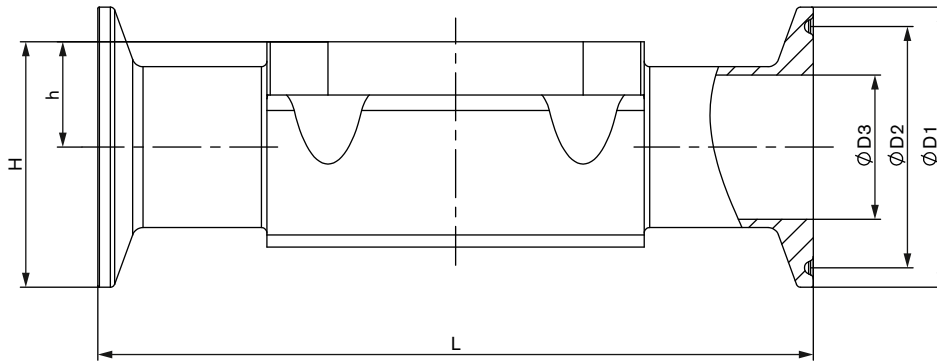
forged body - weld end



Port Connection DN		Diaphragm Size	ØD1	s	h	H	L	self-drain angle α
[mm]	[inch]							
BS 4825								
8	¼"	8	6.35	1.20	6	15	78	50
10	⅜"	8	9.53	1.20	6	15	89	42
15	½"	15	12.70	1.20	8	20	108	40
20	¾"	20	19.05	1.20	16	30	117	28
25	1"	25	25.40	1.65	19	37	127	27
40	1 ½"	40	38.10	1.65	28	52	159	24
50	2"	50	50.80	1.65	36	68	190	20
65	2 ½"	50	63.50	1.65	36	68	192	11
65	2 ½"	80	63.50	1.65	51	98	250	25
80	3"	80	76.20	1.65	51	98	250	19
100	4"	100	101.60	2.11	64	127	295	18
SMS 3008								
25	1"	25	25.0	1.2	19	37	129	27
40	1 ½"	40	38.0	1.2	28	52	161	22
50	2"	50	51.0	1.2	36	68	192	19
65	2 ½"	50	63.5	1.6	36	68	192	11
80	3"	80	76.1	1.6	51	98	250	19
DIN 11850 0								
6	⅛"	8	8.0	1.0	6	15	90	44
8	¼"	8	10.0	1.0	6	15	90	39

Dimensions [mm]

Forged body - Clamp



Port Connection DN		Diaphragm Size	ØD1	s	Cl	ØD2	h	H	L	self-drain angle α [°]
[mm]	[inch]									
DIN 32676 B with pipe EN ISO 4200										
15	½"	15	21.3	1.6	50.5	18.1	12	37	167	18
20	¾"	20	26.9	1.6	50.5	23.7	16	41	114	17
25	1"	25	33.7	2.0	50.5	29.7	19	44	129	19
40	1 ½"	40	48.3	2.0	64.0	44.3	28	60	161	14
50	2"	50	60.3	2.0	77.5	56.3	36	74	190	14
DIN 32676 A with pipe DIN 11850 2										
10	⅜"	15	13.0	1.5	34.0	10.0	8	25	110	40
15	½"	15	19.0	1.5	34.0	16.0	12	29	110	22
20	¾"	20	23.0	1.5	34.0	20.0	16	33	119	22
25	1"	25	29.0	1.5	50.5	26.0	19	44	129	23
40	1 ½"	40	41.0	1.5	50.5	38.0	28	53	161	20
50	2"	50	53.0	1.5	64.0	50.0	36	68	192	18
ASME BPE										
8	¼"	8	6.35	0.89	25.0	4.57	6	18	64	48
10	⅜"	8	9.53	0.89	25.0	7.75	6	18	89	39
15	½"	8	12.70	1.65	25.0	9.4	9	22	89	26
15	½"	15	12.70	1.65	25.0	9.4	8	21	89	41
20	¾"	20	19.05	1.65	25.0	15.75	16	29	102	29
25	1"	25	25.40	1.65	50.5	22.1	19	44	114	27
40	1 ½"	40	38.10	1.65	50.5	34.8	28	53	140	24
50	2"	50	50.80	1.65	64.0	47.5	36	68	159	20
65	2 ½"	50	63.50	1.65	77.5	60.2	36	74	190	11
65	2 ½"	80	63.50	1.65	77.5	60.2	51	98	216	25
80	3"	80	76.20	1.65	91.0	72.9	51	98	222	19
100	4"	100	101.60	2.11	119.0	97.38	64	127	306	18

Ordering chart for valves (other versions on request)

Welded connection acc. EN ISO 1127 / ISO 4200 / DIN11866 B

Certification of Conformity for Raw Material EN-ISO 10204 3.1 (included in delivery)

Port Connection DN		Diaphragm size [mm]	Actuator material Handwheel / Bonnet	K _v value [m ³ /h]	Max. operating pressure [bar]	Article no.	
[mm]	[inch]					mechanically polished Ra ≤ 0.5 µm	electropolished Ra ≤ 0.38 µm
diaphragm material EPDM (AB)							
8	¼"	8	PPS / Stainless steel	1.5	10	446182	446183
10	⅜"	8	PPS / Stainless steel	1.5	10	446187	446188
10	⅜"	15	PPS / PPS	5.5	10	449930	554176
15	½"	15	PPS / PPS	6.5	10	445503	445504
20	¾"	20	PPS / PPS	12.5	10	445508	445509
25	1"	25	PPS / PPS	18	10	445513	445514
40	1 ½"	40	PPS / PPS	41	10	445518	445519
50	2"	50	PPS / PPS	66	10	445523	445524
65	2 ½"	80	Stainless steel / Stainless steel	160	10	254349	273309
80	3"	80	Stainless steel / Stainless steel	160	10	on request	273310
100	4"	100	Stainless steel / Stainless steel	235	6	on request	on request
diaphragm material PTFE/EPDM (EA)							
8	¼"	8	PPS / Stainless steel	2	10	446217	446218
10	⅜"	8	PPS / Stainless steel	2	10	446222	446223
10	⅜"	15	PPS / PPS	5.2	10	299713	299688
15	½"	15	PPS / PPS	6	10	445538	445539
20	¾"	20	PPS / PPS	12	10	445543	445544
25	1"	25	PPS / PPS	16	10	445548	445549
40	1 ½"	40	PPS / PPS	40	10	445553	445554
50	2"	50	PPS / PPS	67	10	445558	445559
65	2 ½"	80	Stainless steel / Stainless steel	160	10	on request	273312
80	3"	80	Stainless steel / Stainless steel	160	10	on request	270877
100	4"	100	Stainless steel / Stainless steel	235	6	on request	on request

 Further versions on request
**Material**

Diaphragms for sterilization with steam EPDM (AD), advanced PTFE/EPDM (EU) and GYLON®/EPDM laminated (ER) and FKM (FF)

Handwheel and bonnet in stainless steel

Ordering chart for valves (other versions on request)

Welded connection acc. DIN 11866 A / DIN 11850 2

Certification of Conformity for Raw Material EN-ISO 10204 3.1 (included in delivery)

Port Connection DN			Diaphragm size [mm]	Actuator material Handwheel / Bonnet	K _v value [m ³ /h]	Max. operating pressure [bar]	Article no.	
[mm]	[inch]						mechanically polished Ra ≤ 0.5 μm	electropolished Ra ≤ 0.38 μm
diaphragm material EPDM (AB)								
10	3/8"	8	PPS / Stainless steel	1.5	10	445462	446322	
10	3/8"	15	PPS / PPS	3.5	10	299708	299686	
15	1/2"	15	PPS / PPS	6.5	10	445638	445639	
20	3/4"	20	PPS / PPS	12.4	10	445643	445644	
25	1"	25	PPS / PPS	20	10	445648	445649	
32	1 1/4"	40	PPS / PPS	34	10	554981	554982	
40	1 1/2"	40	PPS / PPS	40	10	445653	445654	
50	2"	50	PPS / PPS	66	10	445658	445659	
65	2 1/2"	80	Stainless steel / Stainless steel	160	10	on request	273315	
80	3"	80	Stainless steel / Stainless steel	160	10	on request	273316	
100	4"	100	Stainless steel / Stainless steel	235	6	on request	on request	
diaphragm material PTFE/EPDM (EA)								
10	3/8"	8	PPS / Stainless steel	1.9	10	447340	446351	
10	3/8"	15	PPS / PPS	3.4	10	299709	299687	
15	1/2"	15	PPS / PPS	6	10	445668	445669	
20	3/4"	20	PPS / PPS	12	10	445673	445674	
25	1"	25	PPS / PPS	17	10	445678	445679	
32	1 1/4"	40	PPS / PPS	34	10	554991	554992	
40	1 1/2"	40	PPS / PPS	40	10	445683	445684	
50	2"	50	PPS / PPS	66	10	445688	445689	
65	2 1/2"	80	Stainless steel / Stainless steel	160	10	on request	273321	
80	3"	80	Stainless steel / Stainless steel	160	10	258261	273322	
100	4"	100	Stainless steel / Stainless steel	235	6	on request	on request	

 Further versions on request
**Material**

Diaphragms for sterilization with steam EPDM (AD), advanced PTFE/EPDM (EU) and GYLON®/EPDM laminated (ER) and FKM (FF)

Handwheel and bonnet in stainless steel

Ordering chart for valves (other versions on request)

Welded connection acc. ASME BPE

Certification of Conformity for Raw Material EN-ISO 10204 3.1 (included in delivery)

Port Connection DN			Diaphragm size [mm]	Actuator material Handwheel / Bonnet	K _v value [m ³ /h]	Max. operating pressure [bar] [bar]	Article no.	
[mm]	[inch]						mechanically polished Ra ≤ 0.5 μm	electropolished Ra ≤ 0.38 μm
diaphragm material EPDM (AB)								
8	¼"	8	PPS / Stainless steel	0.7	10	447975	447976	
10	⅜"	8	PPS / Stainless steel	1.6	10	447980	447981	
15	½"	8	PPS / Stainless steel	1.5	10	299699	299672	
15	½"	15	PPS / PPS	3.1	10	445573	445574	
20	¾"	15	PPS / PPS	6.5	10	250478	299683	
20	¾"	20	PPS / PPS	8.4	10	445578	445579	
25	1"	25	PPS / PPS	15.5	10	445583	445584	
40	1 ½"	40	PPS / PPS	37	10	445588	445589	
50	2"	50	PPS / PPS	66	10	445593	445594	
65	2 ½"	50	PPS / PPS	66	10	299722	266030	
65	2 ½"	80	Stainless steel / Stainless steel	160	10	271331	on request	
80	3"	80	Stainless steel / Stainless steel	160	10	on request	on request	
100	4"	100	Stainless steel / Stainless steel	235	6	on request	on request	
diaphragm material PTFE/EPDM (EA)								
8	¼"	8	PPS / Stainless steel	0.7	10	447995	447996	
10	⅜"	8	PPS / Stainless steel	1.8	10	448000	448001	
15	½"	8	PPS / Stainless steel	1.9	10	558789	299673	
15	½"	15	PPS / PPS	3.1	10	445608	445609	
20	¾"	15	PPS / PPS	6	10	250482	299684	
20	¾"	20	PPS / PPS	8.5	10	445613	445614	
25	1"	25	PPS / PPS	14.5	10	445618	445619	
40	1 ½"	40	PPS / PPS	37.5	10	445623	445624	
50	2"	50	PPS / PPS	66	10	445628	445629	
65	2 ½"	50	PPS / PPS	66	10	551115	246098	
65	2 ½"	80	Stainless steel / Stainless steel	160	10	276777	on request	
80	3"	80	Stainless steel / Stainless steel	160	10	274778	260493	
100	4"	100	Stainless steel / Stainless steel	235	6	on request	on request	



Further versions on request



Material

Diaphragms for sterilization with steam EPDM (AD), advanced PTFE/EPDM (EU) and GYLON®/EPDM laminated (ER) and FKM (FF)

Handwheel and bonnet in stainless steel

Ordering chart for valves (other versions on request)

Welded connection acc. BS4825

Certification of Conformity for Raw Material EN-ISO 10204 3.1 (included in delivery)

Port Connection DN		Diaphragm size [mm]	Actuator material Handwheel / Bonnet	K _v value [m ³ /h]	Max. operating pressure [bar] [bar]	Article no.	
[mm]	[inch]					mechanically polished Ra ≤ 0.5 µm	electropolished Ra ≤ 0.38 µm
diaphragm material EPDM (AB)							
8	¼"	8	PPS / Stainless steel	0.5	10	446252	446253
10	⅜"	8	PPS / Stainless steel	1.4	10	446257	446258
15	½"	15	PPS / PPS	3.7	10	447925	447926
20	¾"	20	PPS / PPS	8.9	10	447930	447931
25	1"	25	PPS / PPS	15.5	10	445583	445584
40	1 ½"	40	PPS / PPS	37	10	445588	445589
50	2"	50	PPS / PPS	66	10	445593	445594
65	2 ½"	50	PPS / PPS	66	10	299722	266030
65	2 ½"	80	Stainless steel / Stainless steel	160	10	271331	on request
80	3"	80	Stainless steel / Stainless steel	160	10	on request	on request
100	4"	100	Stainless steel / Stainless steel	235	6	on request	on request
diaphragm material PTFE/EPDM (EA)							
8	¼"	8	PPS / Stainless steel	0.5	10	446287	446288
10	⅜"	8	PPS / Stainless steel	1.6	10	446292	446293
15	½"	15	PPS / PPS	3.6	10	447945	447946
20	¾"	20	PPS / PPS	8.8	10	447950	447951
25	1"	25	PPS / PPS	14.5	10	445618	445619
40	1 ½"	40	PPS / PPS	37.5	10	445623	445624
50	2"	50	PPS / PPS	66	10	445628	445629
65	2 ½"	50	PPS / PPS	66	10	551115	246098
65	2 ½"	80	Stainless steel / Stainless steel	160	10	276777	on request
80	3"	80	Stainless steel / Stainless steel	160	10	274778	260493
100	4"	100	Stainless steel / Stainless steel	235	6	on request	on request

 Further versions on request
**Material**

Diaphragms for sterilization with steam EPDM (AD), advanced PTFE/EPDM (EU) and GYLON®/EPDM laminated (ER) and FKM (FF)

Handwheel and bonnet in stainless steel

Ordering chart for valves (other versions on request)

Welded connection acc. SMS 3008

Certification of Conformity for Raw Material EN-ISO 10204 3.1 (included in delivery)

Port Connection DN			Diaphragm size [mm]	Actuator material Handwheel / Bonnet	K _v value [m ³ /h]	Max. operating pressure [bar] [bar]	Article no.	
[mm]	[inch]	mechanically polished Ra ≤ 0.5 µm					electropolished Ra ≤ 0.38 µm	
diaphragm material EPDM (AB)								
25	1"	25		PPS / PPS	16	10	445693	445694
40	1 ½"	40		PPS / PPS	37.8	10	445698	445699
50	2"	50		PPS / PPS	66	10	445703	445704
65	2 ½"	50		PPS / PPS	66	10	449820	551557
80	3"	80		Stainless steel / Stainless steel	160	10	on request	273326
diaphragm material PTFE/EPDM (EA)								
25	1"	25		PPS / PPS	14.8	10	445708	445709
40	1 ½"	40		PPS / PPS	38	10	445713	445714
50	2"	50		PPS / PPS	66	10	445718	445719
65	2 ½"	50		PPS / PPS	66	10	551561	551562
80	3"	80		Stainless steel / Stainless steel	160	10	on request	273328

Welded connection acc. DIN 11850 0

Certification of Conformity for Raw Material EN-ISO 10204 3.1 (included in delivery)

Port Connection DN			Diaphragm size [mm]	Actuator material Handwheel / Bonnet	K _v value [m ³ /h]	Max. operating pressure [bar] [bar]	Article no.	
[mm]	[inch]	mechanically polished Ra ≤ 0.5 µm					electropolished Ra ≤ 0.38 µm	
diaphragm material EPDM (AB)								
8	¼"	8		PPS / Stainless steel	1.1	10	299701	299678
10	⅜"	8		PPS / Stainless steel	1.7	10	299703	181775
diaphragm material PTFE/EPDM (EA)								
8	¼"	8		PPS / Stainless steel	1.1	10	299702	299679
10	⅜"	8		PPS / Stainless steel	1.9	10	299704	299680

Clamp connection acc. DIN 32676 B (with pipe ISO 4200)

Certification of Conformity for Raw Material EN-ISO 10204 3.1 (included in delivery)

Port Connection DN			Diaphragm size [mm]	Actuator material Handwheel / Bonnet	K _v value [m ³ /h]	Max. operating pressure [bar] [bar]	Article no.	
[mm]	[inch]	mechanically polished Ra ≤ 0.5 µm					electropolished Ra ≤ 0.38 µm	
diaphragm material EPDM (AB)								
15	½"	15		PPS / PPS	6.5	10	299710	299689
20	¾"	20		PPS / PPS	12.5	10	299714	299691
25	1"	25		PPS / PPS	18	10	299718	553714
40	1 ½"	40		PPS / PPS	41	10	299720	299695
50	2"	50		PPS / PPS	66	10	299723	299697
diaphragm material PTFE/EPDM (EA)								
15	½"	15		PPS / PPS	6	10	299712	299690
20	¾"	20		PPS / PPS	12	10	299716	299692
25	1"	25		PPS / PPS	16	10	299719	299693
40	1 ½"	40		PPS / PPS	40	10	299721	299696
50	2"	50		PPS / PPS	67	10	299724	299698

i Further versions on request



Material

Diaphragms for sterilization with steam EPDM (AD), advanced PTFE/EPDM (EU) and GYLON®/EPDM laminated (ER) and FKM (FF)

Handwheel and bonnet in stainless steel

Ordering chart for valves (other versions on request)

Clamp connection acc. DIN 32676 A (with pipe DIN 11850 2)

Certification of Conformity for Raw Material EN-ISO 10204 3.1 (included in delivery)

Port Connection DN			Diaphragm size [mm]	Actuator material Handwheel / Bonnet	K _v value [m ³ /h]	Max. operating pressure [bar]	Article no.	
[mm]	[inch]						mechanically polished Ra ≤ 0.5 μm	electropolished Ra ≤ 0.38 μm
diaphragm material (AB)								
10	3/8"	15		PPS / PPS	3.5	10	299705	299681
15	1/2"	15		PPS / PPS	6.5	10	445893	445894
20	3/4"	20		PPS / PPS	12.4	10	445898	445899
25	1"	25		PPS / PPS	20	10	445903	445904
40	1 1/2"	40		PPS / PPS	34	10	445908	445909
50	2"	50		PPS / PPS	40	10	445913	445914
diaphragm material PTFE/EPDM (EA)								
10	3/8"	15		PPS / PPS	3.4	10	299706	299682
15	1/2"	15		PPS / PPS	6	10	445918	445919
20	3/4"	20		PPS / PPS	12	10	445923	445924
25	1"	25		PPS / PPS	17	10	445928	445929
40	1 1/2"	40		PPS / PPS	34	10	445933	445934
50	2"	50		PPS / PPS	40	10	445938	445939

Clamp connection acc. ASME BPE

Certification of Conformity for Raw Material EN-ISO 10204 3.1 (included in delivery)

Port Connection DN			Diaphragm size [mm]	Actuator material Handwheel / Bonnet	K _v value [m ³ /h]	Max. operating pressure [bar]	Article no.	
[mm]	[inch]						mechanically polished Ra ≤ 0.5 μm	electropolished Ra ≤ 0.38 μm
diaphragm material EPDM (AB)								
8	1/4"	8		PPS / Stainless steel	0.7	10	446510	446511
10	3/8"	8		PPS / Stainless steel	1.6	10	446515	446516
15	1/2"	8		PPS / Stainless steel	1.5	10	299700	299674
15	1/2"	15		PPS / PPS	3.1	10	445868	445869
20	3/4"	20		PPS / PPS	8.4	10	445873	445874
25	1"	25		PPS / PPS	15.5	10	445878	445879
40	1 1/2"	40		PPS / PPS	37	10	445883	445884
50	2"	50		PPS / PPS	66	10	445888	445889
65	2 1/2"	50		PPS / PPS	66	10	551454	551455
65	2 1/2"	80		Stainless steel / Stainless steel	160	10	292835	on request
80	3"	80		Stainless steel / Stainless steel	160	10	269347	252571
100	4"	100		Stainless steel / Stainless steel	235	6	on request	on request
diaphragm material PTFE/EPDM (EA)								
8	1/4"	8		PPS / Stainless steel	0.7	10	446545	446546
10	3/8"	8		PPS / Stainless steel	1.8	10	446550	446551
15	1/2"	8		PPS / Stainless steel	1.9	10	553269	299677
15	1/2"	15		PPS / PPS	3.1	10	445833	445834
20	3/4"	20		PPS / PPS	8.5	10	445838	445839
25	1"	25		PPS / PPS	14.5	10	445843	445844
40	1 1/2"	40		PPS / PPS	37.5	10	445848	445849
50	2"	50		PPS / PPS	66	10	445853	445854
65	2 1/2"	50		PPS / PPS	66	10	551460	551461
65	2 1/2"	80		Stainless steel / Stainless steel	160	10	279251	on request
80	3"	80		Stainless steel / Stainless steel	160	10	254131	257108
100	4"	100		Stainless steel / Stainless steel	235	6	on request	on request

 Further versions on request


Material

Diaphragms for sterilization with steam EPDM (AD), advanced PTFE/EPDM (EU) and GYLON®/EPDM laminated (ER) and FKM (FF)

Handwheel and bonnet in stainless steel

Note

You can fill out the fields directly in the PDF file before printing out the form.

Diaphragm valves – request for quotation

▶ Please fill out and send to your nearest Bürkert facility* with your inquiry or order

Company	Contact person
Customer no.	Department
Address	Tel./Fax
Postcode/town	E-Mail

= mandatory fields to fill out

Quantity

Required delivery date

Operating data

<input checked="" type="checkbox"/> Process medium	<input type="text"/>		
<input checked="" type="checkbox"/> Type of media	<input type="checkbox"/> Liquid	<input type="checkbox"/> Steam	<input type="checkbox"/> Gas
<input checked="" type="checkbox"/> Flow rate (Q, Q _N , W) ¹⁾	<input type="text"/> nominal	<input type="text"/> unit	
<input checked="" type="checkbox"/> Temperature at valve inlet	<input type="text"/>	<input type="text"/>	
<input checked="" type="checkbox"/> Absolute pressure at valve inlet	<input type="text"/>	<input type="text"/>	
<input type="checkbox"/> Steam sterilisation	temperature	<input type="text"/>	

¹⁾ standard unit:
Liquid Q = m³/h;
Steam W = kg/h;
Gas Q_N = Nm³/h

Valve features

Specification key

automatically transferred from next page

3233-2-0

Surface finish (if not standard)

internal μm

external μm

Certifications

- Test Report 2.2 acc. to EN 10204 (Article no. 803 722)
- Inspection Certificate 3.1 acc. to EN 10204 - Material Test Report (included in delivery)
- Inspection Certificate 3.1 acc. to EN 10204 - Surface Roughness Measurement (Article no. 804175)
- Compliance with FDA, EC-Regulation 1935/2004/EC and USP Class VI

Comment / sketch

DTS 1000011008 EN Version: V Status: RL (released | freigegeben | validé) printed: 01.02.2018

* To find your nearest Bürkert facility, click on the orange box → www.burkert.com

Valve features

Example

15 AB VS SA42 D050 NO17

Specification key

Please make a choice

Diaphragm size

08
15
20
25
40
50
80
100

SEAL MATERIAL

AB	EPDM
AD	EPDM
EA	PTFE/EPDM
ER	GYLONR/EPDM laminated
FF	FKM
EU	advanced PTFE/EPDM in two pieces

BODY MATERIAL

Standard DN8 - 80	VS	Forged Stainless steel 316L / 1.4435 / BN ₂
Standard DN100	VH	Blockmaterial 316L / 1.4435

VARIABLE CODES

Surface finish internal

NO14	Int. mechanical polished Ra ≤ 0.5µm
NO17	Int. electro polished Ra ≤ 0.38µm

ACTUATOR VERSION

D050	Handwheel / Bonnet PPS
D051	Handwheel PPS / Bonnet stainless steel
D052	Handwheel / Bonnet stainless steel
D102	Handwheel / Bonnet stainless steel (diaphragm size 80 - 100)



PORT CONNECTION

Weld end

Port connection DN		DIN EN ISO 1127 / ISO 4200 / DIN11866 B#	DIN 11850 2 / DIN11866 A	ASME BPE / DIN 11866 C	BS4825	SMS 3008	DIN 11850 0
[mm]	[inch]						
6	1/8"						SC41 - 8.0 × 1.0
8	1/4"	SA40-13.5 × 1.6		SA90-6.35 × 0.89	SODB - 6.35 × 1.2		SC42-10.0 × 1.0
10	3/8"	SA41-17.2 × 1.6	SD40-13.0 × 1.5	SA91-9.53 × 0.89	SODC - 9.53 × 1.2		
15	1/2"	SA42-21.3 × 1.6	SD42-19.0 × 1.5	SA92-12.7 × 1.65	SODD - 12.7 × 1.2		
20	3/4"	SA43-26.9 × 1.6	SD43-23.0 × 1.5	SA93-19.05 × 1.65	SODE - 19.05 × 1.2		
25	1"	SA44-33.7 × 2.0	SD44-29.0 × 1.5	SODF - 25.4 × 1.65	SODF - 25.4 × 1.65	SA60-25.0 × 1.2	
32	1 1/4"	SA45-42.4 × 2.0	SD45-35.0 × 1.5				
40	1 1/2"	SA46-48.3 × 2.0	SD46-41.0 × 1.5	SODH - 38.1 × 1.65	SODH - 38.1 × 1.65	SA62-38.0 × 1.2	
50	2"	SA47-60.3 × 2.0	SD47-53.0 × 1.5	SODI - 50.8 × 1.65	SODI - 50.8 × 1.65	SA63-51.0 × 1.2	
65	2 1/2"	SA48-76.1 × 2.0	SD48-70.0 × 2.0	SODJ - 63.5 × 1.65	SODJ - 63.5 × 1.65	SA64-63.5 × 1.6	
80	3"	SA49-88.9 × 2.3	SD49-85.0 × 2.0	SODK - 76.2 × 1.65	SODK - 76.2 × 1.65	SA65-76.1 × 1.6	
100	4"	SA39-114.3 × 2.3	SD50-104.0 × 2.0	SODL - 101.6 × 2.11	SODL - 101.6 × 2.11		

Clamp

Port connection DN		DIN 32676 B (with pipe ISO 4200)	DIN 32676 A (with pipe DIN 11850 2)	ASME BPE
[mm]	[inch]			
8	1/4"			TG 50 - 6.35 × 0.89 Cl: 25.0
10	3/8"		TD41 - 13.0 × 1.5 Cl: 34.0	TG 01 - 9.53 × 0.89 Cl: 25.0
15	1/2"	TC52 - 21.3 × 1.6 Cl: 50.5	TD42 - 19.0 × 1.5 Cl: 34.0	TG 02 - 12.7 × 1.65 Cl: 25.0
20	3/4"	TC43 - 26.9 × 1.6 Cl: 50.5	TD43 - 23.0 × 1.5 Cl: 34.0	TG 03 - 19.05 × 1.65 Cl: 25.0
25	1"	TC44 - 33.7 × 2.0 Cl: 50.5	TD44 - 29.0 × 1.5 Cl: 50.5	TG 04 - 25.4 × 1.65 Cl: 50.5
40	1 1/2"	TC46 - 48.3 × 2.0 Cl: 64.0	TD46 - 41.0 × 1.5 Cl: 50.5	TG 05 - 38.1 × 1.65 Cl: 50.5
50	2"	TC47 - 60.3 × 2.0 Cl: 77.5	TD47 - 53.0 × 1.5 Cl: 64.0	TG 06 - 50.8 × 1.65 Cl: 64.0
65	2 1/2"			TG 07 - 63.5 × 1.65 Cl: 77.5
80	3"			TG 08 - 76.2 × 1.65 Cl: 91.0
100	4"			TG 09 - 101.6 × 2.11 Cl: 119.0

In case of special application conditions, please consult for advice.

Subject to alteration.
© Christian Bürkert GmbH & Co. KG

1801/20_EU-en_00891705